



325 COMMERCE DRIVE
 MT VERNON, OH 43050
 800-253-8236

SPECIFICATION DATA SHEET

DATE: 9-14-12
 PREPARED BY: RL

MODEL NO. 011

DUCT DAMPER

STANDARD MODEL

DIMENSIONS

SIZE	A	B	DUCT SIZE	DAMPER FITS
8x8	7 3/4	x 7 3/4	8	x 8
10x8	9 3/4	x 7 3/4	10	x 8
12x8	11 3/4	x 7 3/4	12	x 8
14x8	13 3/4	x 7 3/4	14	x 8
14x10	13 3/4	x 9 3/4	14	x 10
16x8	15 3/4	x 7 3/4	16	x 8
18x8	17 3/4	x 7 3/4	18	x 8
20x8	19 3/4	x 7 3/4	20	x 8
22x8	21 3/4	x 7 3/4	22	x 8
24x8	23 3/4	x 7 3/4	24	x 8
24x10	23 3/4	x 9 3/4	24	x 10
26x8	25 3/4	x 7 3/4	26	x 8
28x8	27 3/4	x 7 3/4	28	x 8

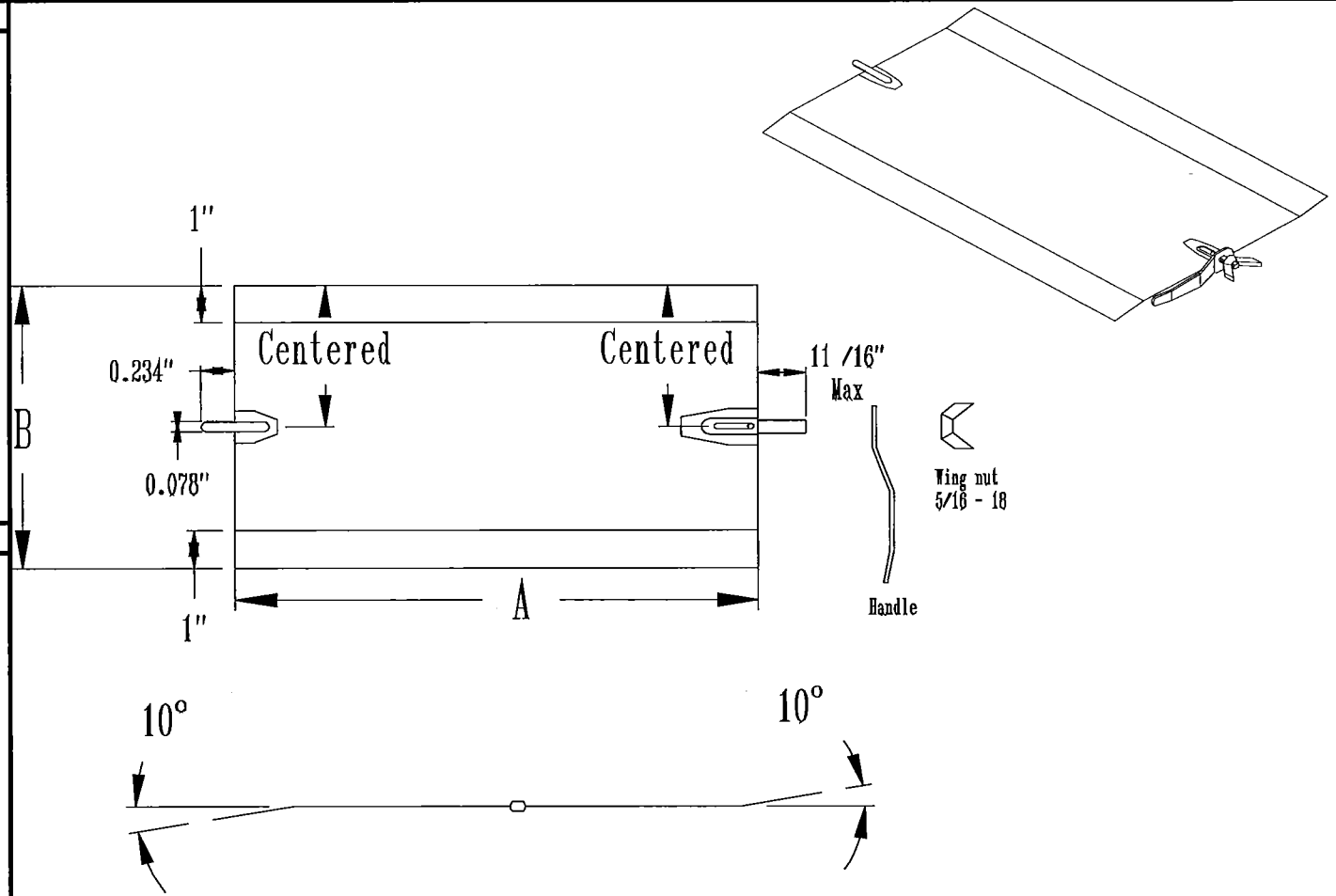
MATERIAL SPECIFICATIONS

DISC IS HOT DIPPED GALVANIZED STEEL.
 PER ASTM A 653 CSB.

DAMPER = 26 GA
 HANDLE = 18 GA

OPTIONS

CAN BE ORDERED ASSEMBLED OR
 UNASSEMBLED.



HANDLE AND WING NUT NOT ATTACHED UNLESS SPECIFIED AS "ASSEMBLED".

JOB: _____
 LOCATION: _____
 CONTRACTOR: _____
 ENGINEER: _____
 NOTES: _____