

CVPVA, CSPVA
Evaporator Coil with Vertex™ Technology
Upflow/Downflow (AC Only)



Product Data

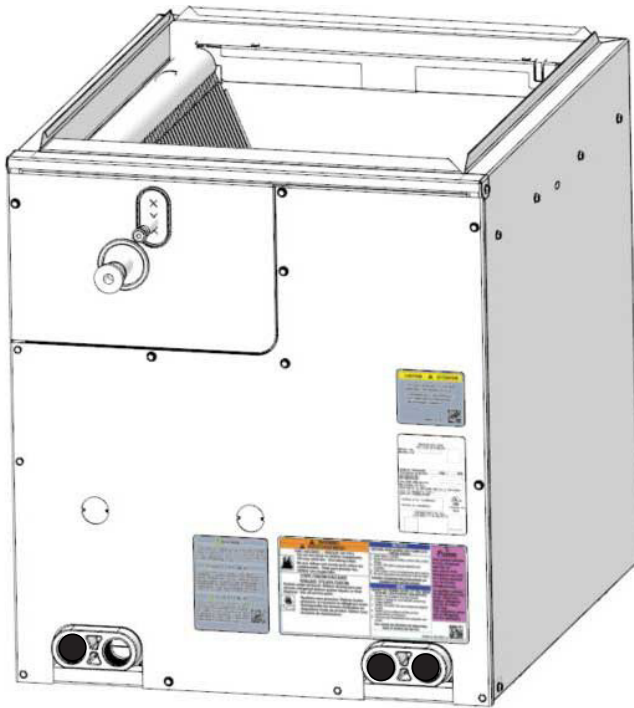


Fig. 1 – Typical Coil

A210758A

This evaporator coil incorporates proven standards for reliable system operation and performance throughout the life of this product. These quality coils, manufactured and installed as part of a total comfort system, provide AHRI-rated performance ratings and are additionally listed with UL and c-UL.

Available for use in Puron® R-410A refrigerant only, it is a cased V-coil or slope coil that is housed in a durable, 24-gauge, pre-painted taupe metallic cabinet. The fully insulated cabinet (foil faced with R-2.1 insulation) provides for quiet efficient operation of the evaporator coil.

DESIGN FEATURES

Performance — Designed with performance in mind, this new evaporator coil offers lower pressure drops to enhance system performance and airflow characteristics.

Thermostatic Expansion Valves (TXV) — All coils have refrigerant-specific, factory-installed TXVs. All models are factory pre-set to approximately 10° of superheat at the suction service valve.

Durable Condensate Pan — The corrosion-resistant drain pan is designed of a “Polybutylene terephthalate” material (PBT) that offers unsurpassed pan strength. It is engineered with proper slope to help ensure water drainage, improved moisture removal, and home comfort.

Condensate Drain Pan Plugs — The drain pan is supplied with three water-tight drain plugs to prevent leakage from unused drain connections.

Refrigerant Connections — Provided with industry proven sweat connections for leak-free operation to maintain system reliability. The location of the lineset connections allows for removal of the access door for easy cleaning/servicing of the coils, as well as easy access to the TXV. All models come from the factory with enough length of straight tube—once the pipe swages are cut off—to accommodate braze-less compression fittings.

Burst Pressure — Meets or exceeds burst pressure of 1900 psi, which is at least three times the maximum operating pressure it would see in actual cooling-only application.

UV Knockout — This cased coil comes with factory-installed UV knockouts for quick and easy installation of UV lights.

Serviceability — Comes with a “no delta plate” for easy, quick access to both sides of the coil for service and cleaning. Also, after the door is removed and refrigerant lines disconnected, the coil is removable from the front of the unit without the use of any tools.

MODEL NUMBER NOMENCLATURE

1 2 3 4 5 6 7 8 9 10 11 12
 C V P V A 3 6 1 7 X M C

| | |
|---|--|
| <p>Product C = Coil</p> <p>Type V = V-Coil S = Slope Coil</p> <p>Refrigerant Type P = Puron® Refrigerant (R-410A)</p> <p>Coil Configuration V = Upflow/Downflow M = Multi-poise</p> <p>Cabinet Finish A = Major Series</p> | <p>Variations C = Cooling only</p> <p>Tubing Design M= Microchannel</p> <p>Metering Device X = TXV</p> <p>Cabinet Width (Nom.) 14 = 14-in (356 mm) 17 = 17-in (432 mm) 21 = 21-in (533 mm) 24 = 24-in (610 mm)</p> <p>Unit Capacity (Nom.) 18 - 23 = 1½ Ton 24 - 29 = 2 Ton 30 - 35 = 2½ Ton 36 - 41 = 3 Ton 42 - 47 = 3½ Ton 48 - 51 = 4 Ton 60 - 62 = 5 Ton</p> |
|---|--|



Use of the AHRI Certified™ Mark indicates a manufacturer's participation in the program. For verification of certification for individual products, go to www.ahridirectory.org.



A200449

Table 1 – Accessories

| Part Number | Description |
|--------------|-----------------------------------|
| KGADA0101ALL | Coil Adapter Kits - No Offset |
| KGADA0201ALL | Coil Adapter Kits - Single Offset |
| KGADA0301ALL | Coil Adapter Kits - Double Offset |

Table 2 – Coil Connections / Orientations

| Model | Nom. Tons | Line Set Connection Tube Size, in. | | Flush Fit to Furnace Width, in. (mm) | Fits Next Smaller Furnace Width | | | 90° Rotation to Furnace (4" Min. Transition Required) | 180° Rotation to Furnace |
|--------------|-----------|------------------------------------|--------|--------------------------------------|---------------------------------|-------------|--------------|---|--------------------------|
| | | Suction | Liquid | | Equal Overhang | Offset Left | Offset Right | | |
| CSPVA2414XMC | 2 | 3/4 | 3/8 | 14-3/16 (360) | | | | ALL Upflow or Downflow | |
| CVPVA1814XMC | 1.5 | 3/4 | 3/8 | 14-3/16 (360) | | | | | |
| CVPVA1917XMC | 1.5 | 3/4 | 3/8 | 17-1/2 (445) | X | X | X | | |
| CVPVA2414XMC | 2 | 3/4 | 3/8 | 14-3/16 (360) | | | | | |
| CVPVA2417XMC | 2 | 3/4 | 3/8 | 17-1/2 (445) | X | X | X | | |
| CVPVA2514XMC | 2 | 3/4 | 3/8 | 14-3/16 (360) | | | | | |
| CVPVA2517XMC | 2 | 3/4 | 3/8 | 17-1/2 (445) | X | X | X | | |
| CVPVA3014XMC | 2.5 | 3/4 | 3/8 | 14-3/16 (360) | | | | | |
| CVPVA3017XMC | 2.5 | 3/4 | 3/8 | 17-1/2 (445) | X | X | X | | |
| CVPVA3117XMC | 2.5 | 3/4 | 3/8 | 17-1/2 (445) | X | X | X | | |
| CVPVA3617XMC | 3 | 3/4 | 3/8 | 17-1/2 (445) | X | X | X | | |
| CVPVA3621XMC | 3 | 3/4 | 3/8 | 21 (533) | X | X | X | | |
| CVPVA3721XMC | 3 | 3/4 | 3/8 | 21 (533) | X | X | X | | |
| CVPVA3817XMC | 3 | 3/4 | 3/8 | 17-1/2 (445) | X | X | X | | |
| CVPVA4217XMC | 3.5 | 7/8 | 3/8 | 17-1/2 (445) | X | X | X | | |
| CVPVA4221XMC | 3.5 | 7/8 | 3/8 | 21 (533) | X | X | X | | |
| CVPVA4224XMC | 3.5 | 7/8 | 3/8 | 24-1/2 (622) | X | X | X | | |
| CVPVA4821XMC | 4 | 7/8 | 3/8 | 21 (533) | X | X | X | | |
| CVPVA4824XMC | 4 | 7/8 | 3/8 | 24-1/2 (622) | X | X | X | | |
| CVPVA4924XMC | 4 | 7/8 | 3/8 | 24-1/2 (622) | X | X | X | | |
| CVPVA6021XMC | 5 | 7/8 | 3/8 | 21 (533) | X | X | X | | |
| CVPVA6024XMC | 5 | 7/8 | 3/8 | 24-1/2 (622) | X | X | X | | |
| CVPVA6121XMC | 5 | 7/8 | 3/8 | 21 (533) | X | X | X | | |
| CVPVA6124XMC | 5 | 7/8 | 3/8 | 24-1/2 (622) | X | X | X | | |

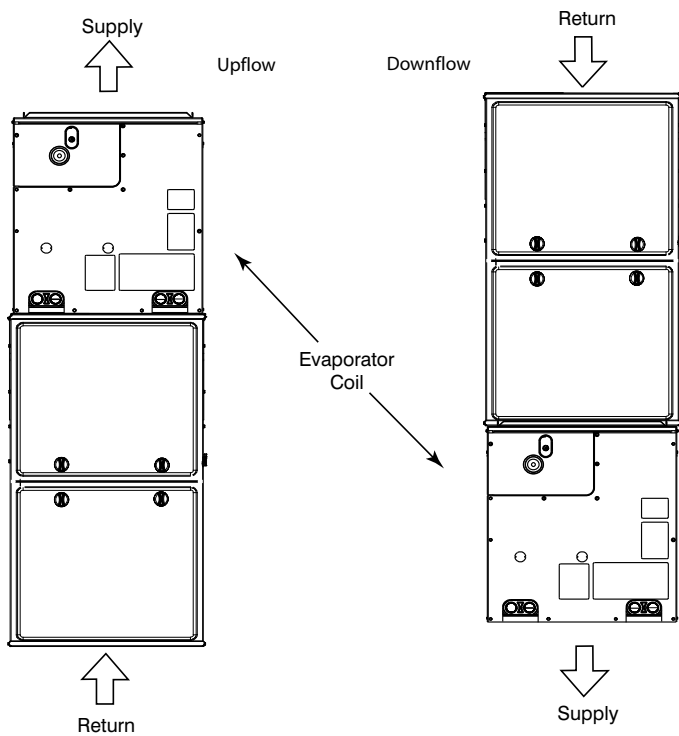


Fig. 2 – Typical Flush-Fit Coil Installation on Furnace (recommended) A200227B

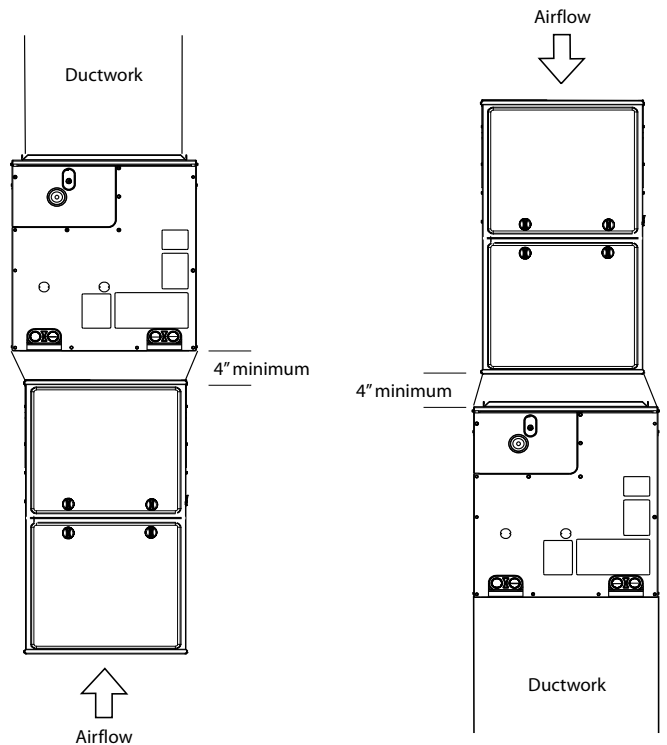


Fig. 3 – Adapter(s) Installation When Coil is Larger than Furnace (recommended) A200228B

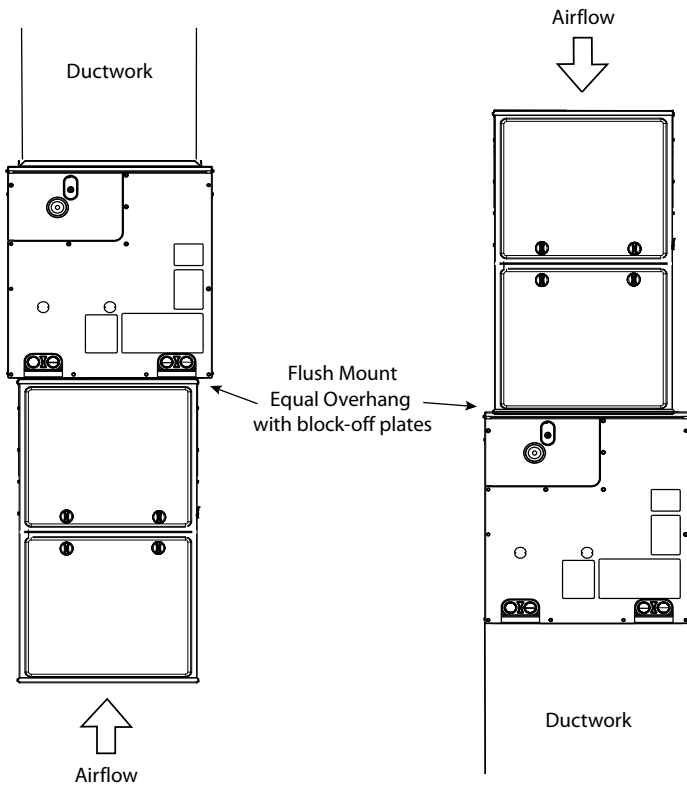


Fig. 4 – Smaller Furnace, Equal Overhang, Flush Mount (not recommended) A221112

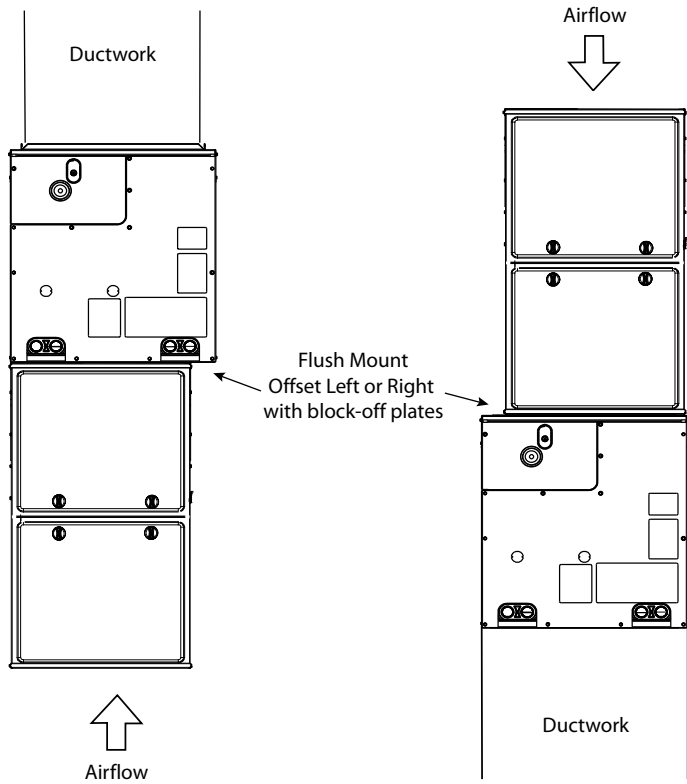


Fig. 5 – Smaller Furnace, Offset, Flush Mount Right or Left (not recommended) A221113

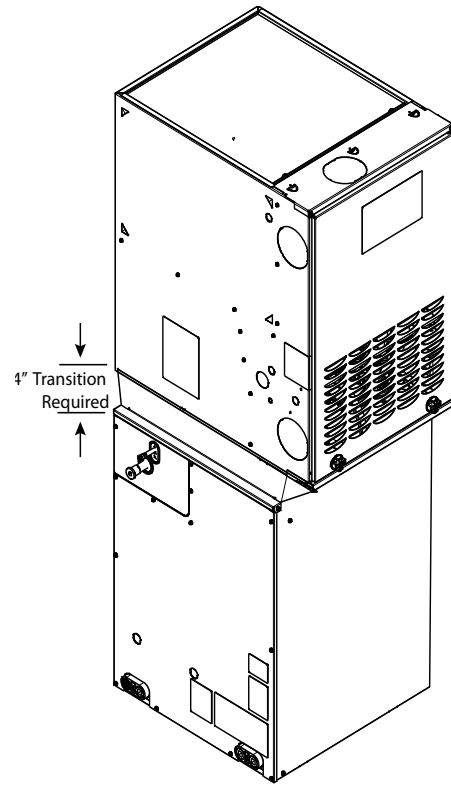


Fig. 6 – 90° Rotation (shown in downflow) 4" Transition Required (not recommended) A221110

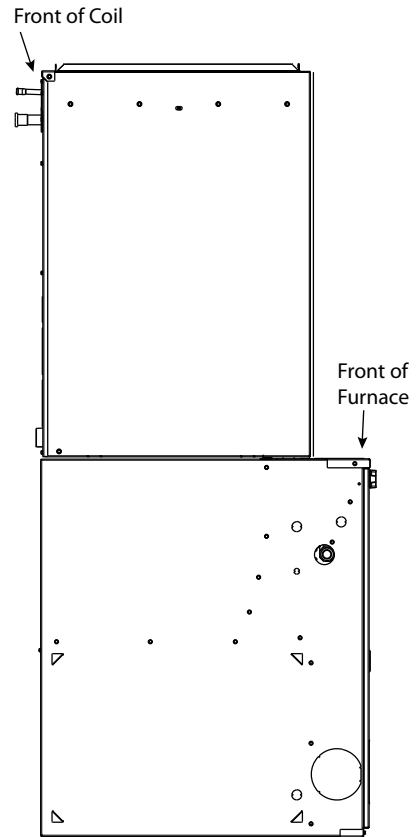
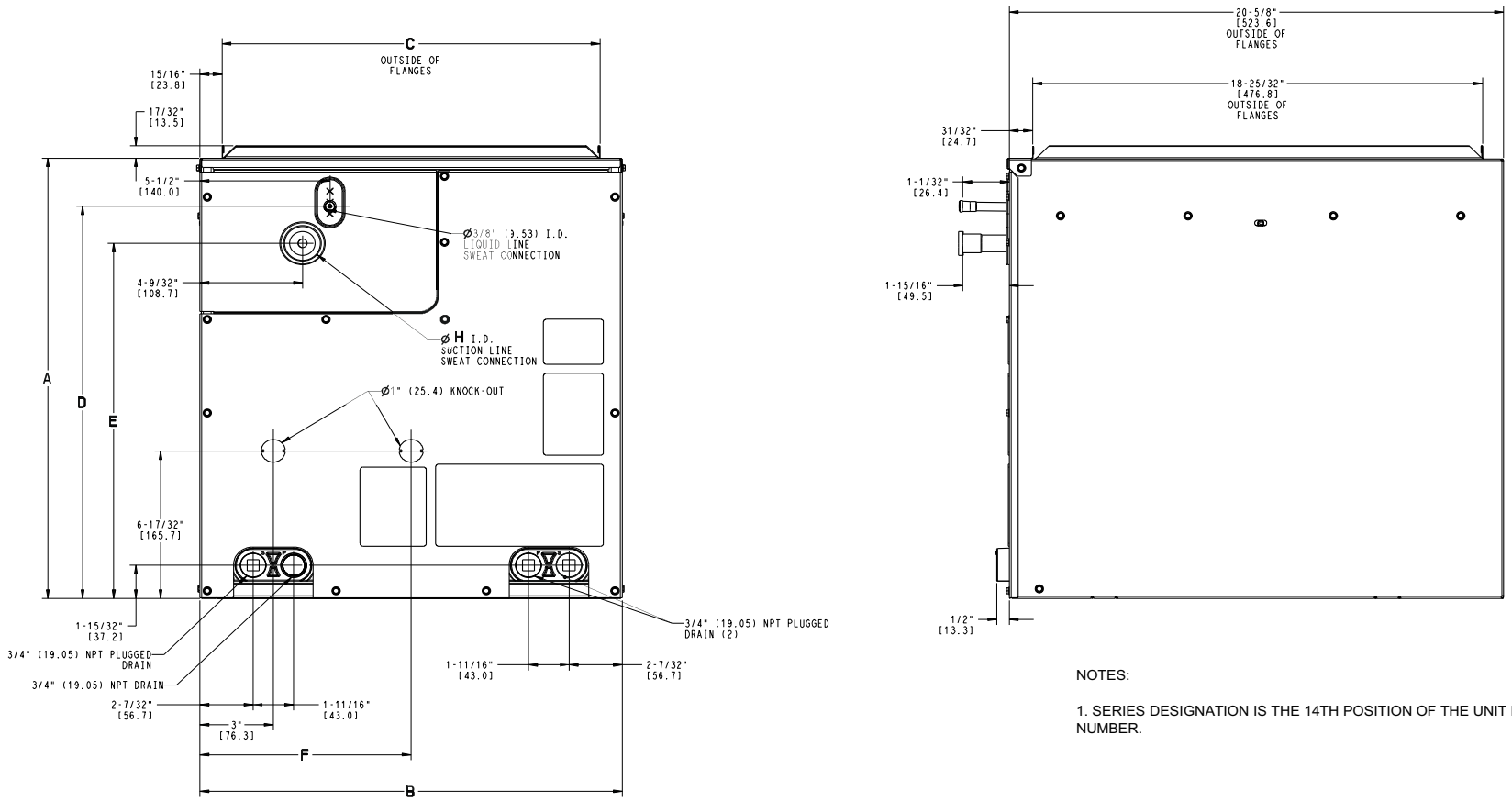


Fig. 7 – 180° Rotation (shown in upflow) (not recommended) A221111

DIMENSIONS

| UNIT | SERIES | A | | B (Cabinet Width) | | C | | D | | E | | F | | H (Suction Line) | | OPERATING WEIGHT | | SHIPPING WEIGHT | | SHIPPING HEIGHT | | SHIPPING WIDTH | | SHIPPING DEPTH | |
|--------------|--------|----------|-------|----------------------|-------|---------|-------|----------|-------|----------|-------|-------|-------|---------------------|------|---------------------|------|--------------------|------|--------------------|-------|-------------------|-------|-------------------|-------|
| | | INCH | MM | INCH | MM | INCH | MM | INCH | MM | INCH | MM | INCH | MM | INCH | MM | Lbs | Kgs | Lbs | Kgs | INCH | MM | INCH | MM | INCH | MM |
| CVPVA1814XMC | A | 14 11/16 | 372.4 | 14 3/16 | 360.4 | 12 7/16 | 316.2 | 13 3/16 | 335.2 | 11 5/8 | 294.8 | 7 1/8 | 180.2 | 3/4 | 19.1 | 23.6 | 10.7 | 28 | 12.7 | 16.0 | 406.4 | 16.3 | 414.0 | 23.8 | 604.5 |
| CVPVA1917XMC | A | 19 7/16 | 494.5 | 17 1/2 | 444.5 | 15 3/4 | 400.3 | 17 5/16 | 440.4 | 15 11/16 | 398.7 | 8 3/4 | 222.3 | 3/4 | 19.1 | 31.2 | 14.2 | 37 | 16.8 | 20.7 | 525.8 | 19.6 | 497.8 | 23.8 | 604.5 |
| CVPVA2414XMC | A | 14 11/16 | 372.4 | 14 3/16 | 360.4 | 12 7/16 | 316.2 | 13 3/16 | 335.2 | 11 5/8 | 294.8 | 7 1/8 | 180.2 | 3/4 | 19.1 | 23.6 | 10.7 | 28 | 12.7 | 16.0 | 406.4 | 16.3 | 414.0 | 23.8 | 604.5 |
| CVPVA2417XMC | A | 14 11/16 | 372.4 | 17 1/2 | 444.5 | 15 3/4 | 400.3 | 13 3/16 | 335.2 | 11 5/8 | 294.8 | 8 3/4 | 222.3 | 3/4 | 19.1 | 31.2 | 14.2 | 37 | 16.8 | 16.0 | 406.4 | 19.6 | 497.8 | 23.8 | 604.5 |
| CVPVA2514XMC | A | 17 1/16 | 432.6 | 14 3/16 | 360.4 | 12 7/16 | 316.2 | 14 15/16 | 380.2 | 14 | 355.0 | 7 1/8 | 180.2 | 3/4 | 19.1 | 26.1 | 11.8 | 31.0 | 14.1 | 18.4 | 467.4 | 16.3 | 414.0 | 23.8 | 604.5 |
| CVPVA2517XMC | A | 19 7/16 | 494.5 | 17 1/2 | 444.5 | 15 3/4 | 400.3 | 17 5/16 | 440.4 | 15 11/16 | 398.7 | 8 3/4 | 222.3 | 3/4 | 19.1 | 31.2 | 14.2 | 37 | 16.8 | 20.7 | 525.8 | 19.6 | 497.8 | 23.8 | 604.5 |
| CVPVA3014XMC | A | 17 1/16 | 432.6 | 14 3/16 | 360.4 | 12 7/16 | 316.2 | 14 15/16 | 380.2 | 14 | 355.0 | 7 1/8 | 180.2 | 3/4 | 19.1 | 26.1 | 11.8 | 31.0 | 14.1 | 18.4 | 467.4 | 16.3 | 414.0 | 23.8 | 604.5 |
| CVPVA3017XMC | A | 19 7/16 | 494.5 | 17 1/2 | 444.5 | 15 3/4 | 400.3 | 17 5/16 | 440.4 | 15 11/16 | 398.7 | 8 3/4 | 222.3 | 3/4 | 19.1 | 31.2 | 14.2 | 37 | 16.8 | 20.7 | 525.8 | 19.6 | 497.8 | 23.8 | 604.5 |
| CVPVA3117XMC | A | 25 13/16 | 656.4 | 17 1/2 | 444.5 | 15 3/4 | 400.3 | 24 3/16 | 614.2 | 22 13/16 | 578.8 | 8 3/4 | 222.3 | 3/4 | 19.1 | 37.0 | 16.8 | 44 | 20.0 | 27.1 | 688.3 | 19.6 | 497.8 | 23.8 | 604.5 |
| CVPVA3617XMC | A | 19 7/16 | 494.5 | 17 1/2 | 444.5 | 15 3/4 | 400.3 | 17 5/16 | 440.4 | 15 11/16 | 398.7 | 8 3/4 | 222.3 | 3/4 | 19.1 | 31.2 | 14.2 | 37 | 16.8 | 20.7 | 525.8 | 19.6 | 497.8 | 23.8 | 604.5 |
| CVPVA3817XMC | A | 29 3/4 | 755.3 | 17 1/2 | 444.5 | 15 3/4 | 400.3 | 27 3/4 | 704.9 | 26 11/16 | 677.7 | 8 3/4 | 222.3 | 3/4 | 19.1 | 41.3 | 18.7 | 49 | 22.2 | 31.0 | 787.4 | 19.6 | 497.8 | 23.8 | 604.5 |
| CVPVA4217XMC | A | 19 1/4 | 489.1 | 17 1/2 | 444.5 | 15 3/4 | 400.3 | 19 1/8 | 485.9 | 18 1/16 | 459.1 | 8 3/4 | 222.3 | 7/8 | 22.2 | 32.0 | 14.5 | 38 | 17.2 | 22.5 | 571.5 | 19.6 | 497.8 | 23.8 | 604.5 |



NOTES:
 1. SERIES DESIGNATION IS THE 14TH POSITION OF THE UNIT MODEL NUMBER.

Fig. 8 – CVPVA (14" & 17" cabinet widths)

Manufacturer reserves the right to change, at any time, specifications and designs without notice and without obligations.

DIMENSIONS (cont)

| UNIT | SERIES | A | | B (Cabinet Width) | | C | | D | | E | | F | | H (Suction Line) | | OPERATING WEIGHT | | SHIPPING WEIGHT | | SHIPPING HEIGHT | | SHIPPING WIDTH | | SHIPPING DEPTH | |
|--------------|--------|----------|-------|----------------------|-------|--------|-------|---------|-------|----------|-------|--------|-------|---------------------|------|---------------------|------|--------------------|------|--------------------|-------|-------------------|-------|-------------------|-------|
| | | INCH | MM | INCH | MM | INCH | MM | INCH | MM | INCH | MM | INCH | MM | INCH | MM | Lbs | Kgs | Lbs | Kgs | INCH | MM | INCH | MM | INCH | MM |
| CVPVA3621XMC | A | 19 1/16 | 483.4 | 21 | 533.4 | 19 1/4 | 489.2 | 16 7/8 | 427.9 | 16 | 405.8 | 10 1/2 | 266.7 | 3/4 | 19.1 | 32.0 | 14.5 | 38.0 | 17.2 | 20.4 | 518.2 | 23.1 | 586.7 | 23.8 | 604.5 |
| CVPVA3721XMC | A | 21 15/16 | 557.9 | 21 | 533.4 | 19 1/4 | 489.2 | 20 1/16 | 510.0 | 18 5/16 | 465.0 | 10 1/2 | 266.7 | 3/4 | 19.1 | 35.4 | 16.1 | 42.0 | 19.1 | 23.5 | 596.9 | 23.1 | 586.7 | 23.8 | 604.5 |
| CVPVA4221XMC | A | 19 1/16 | 483.4 | 21 | 533.4 | 19 1/4 | 489.2 | 16 7/8 | 427.9 | 16 | 405.8 | 10 1/2 | 266.7 | 7/8 | 22.2 | 32.0 | 14.5 | 38.0 | 17.2 | 20.4 | 518.2 | 23.1 | 586.7 | 23.8 | 604.5 |
| CVPVA4224XMC | A | 26 5/16 | 669.0 | 24 1/2 | 622.3 | 22 3/4 | 578.1 | 24 3/4 | 629.3 | 23 5/16 | 591.4 | 12 1/4 | 311.2 | 7/8 | 22.2 | 41.3 | 18.7 | 49.0 | 22.2 | 27.7 | 703.6 | 26.6 | 675.6 | 23.8 | 604.5 |
| CVPVA4821XMC | A | 21 15/16 | 557.9 | 21 | 533.4 | 19 1/4 | 489.2 | 20 1/16 | 510.0 | 18 5/16 | 465.0 | 10 1/2 | 266.7 | 7/8 | 22.2 | 35.4 | 16.1 | 42.0 | 19.1 | 23.5 | 596.9 | 23.1 | 586.7 | 23.8 | 604.5 |
| CVPVA4824XMC | A | 22 1/16 | 560.8 | 24 1/2 | 622.3 | 22 3/4 | 578.1 | 20 3/16 | 513.4 | 19 | 483.2 | 12 1/4 | 311.2 | 7/8 | 22.2 | 37.0 | 16.8 | 44.0 | 20.0 | 23.5 | 596.9 | 26.6 | 675.6 | 23.8 | 604.5 |
| CVPVA4924XMC | A | 26 5/16 | 669.0 | 24 1/2 | 622.3 | 22 3/4 | 578.1 | 24 5/16 | 616.9 | 22 9/16 | 573.2 | 12 1/4 | 311.2 | 7/8 | 22.2 | 41.3 | 18.7 | 49.0 | 22.2 | 27.7 | 703.6 | 26.6 | 675.6 | 23.8 | 604.5 |
| CVPVA6021XMC | A | 29 3/4 | 755.3 | 21 | 533.4 | 19 1/4 | 489.2 | 28 1/4 | 717.0 | 26 11/16 | 677.7 | 10 1/2 | 266.7 | 7/8 | 22.2 | 43.8 | 19.9 | 52.0 | 23.6 | 31.0 | 787.4 | 23.1 | 586.7 | 23.8 | 604.5 |
| CVPVA6121XMC | A | 35 | 889.6 | 21 | 533.4 | 19 1/4 | 489.2 | 33 1/8 | 841.4 | 31 15/16 | 812.0 | 10 1/2 | 266.7 | 7/8 | 22.2 | 48.8 | 22.1 | 58.0 | 26.3 | 36.3 | 922.0 | 23.1 | 586.7 | 23.8 | 604.5 |
| CVPVA6024XMC | A | 26 5/16 | 669.0 | 24 1/2 | 622.3 | 22 3/4 | 578.1 | 24 3/4 | 629.3 | 23 5/16 | 591.4 | 12 1/4 | 311.2 | 7/8 | 22.2 | 41.3 | 18.7 | 49.0 | 22.2 | 27.7 | 703.6 | 26.6 | 675.6 | 23.8 | 604.5 |
| CVPVA6124XMC | A | 35 | 889.6 | 24 1/2 | 622.3 | 22 3/4 | 578.1 | 33 7/16 | 850.0 | 31 1/4 | 793.8 | 12 1/4 | 311.2 | 7/8 | 22.2 | 53.9 | 24.4 | 64.0 | 29.0 | 36.3 | 922.0 | 26.6 | 675.6 | 23.8 | 604.5 |

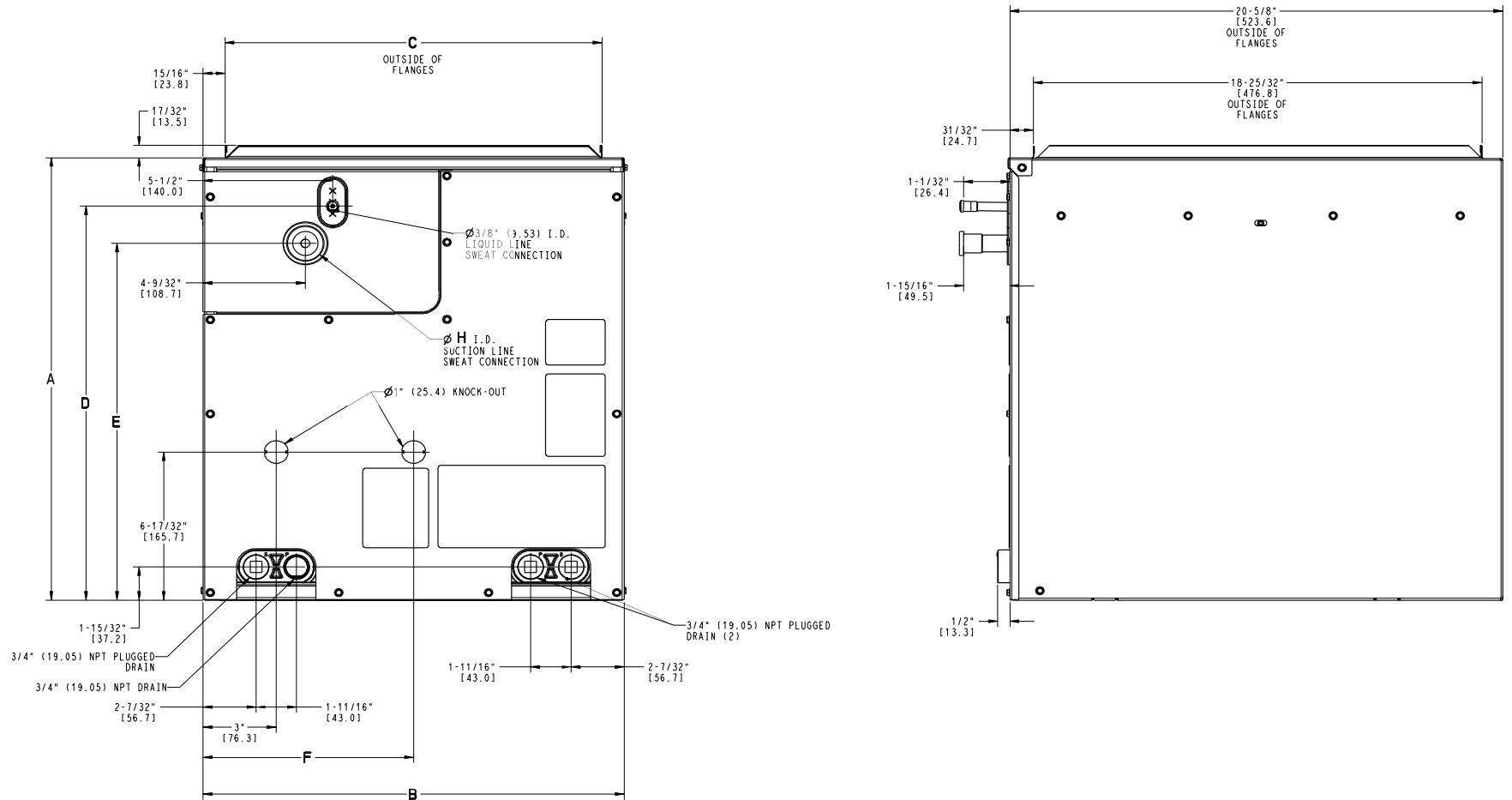


Fig. 9 – CVPVA (21" & 24" cabinet widths)

A210753A

DIMENSIONS (cont)

| UNIT | SERIES | A (Cabinet Width) | | B | | OPERATING WEIGHT | | SHIPPING WEIGHT | | SHIPPING HEIGHT | | SHIPPING WIDTH | | SHIPPING DEPTH | |
|--------------|--------|----------------------|-------|---------|-------|------------------|------|-----------------|------|-----------------|-------|----------------|-------|----------------|-------|
| | | INCH | MM | INCH | MM | Lbs | Kgs | Lbs | Kgs | INCH | MM | INCH | MM | INCH | MM |
| CSPVA2414XMC | A | 14 3/16 | 360.4 | 12 7/16 | 316.2 | 23.6 | 10.7 | 28.0 | 12.7 | 27.1 | 688.3 | 16.3 | 414.0 | 23.8 | 604.5 |

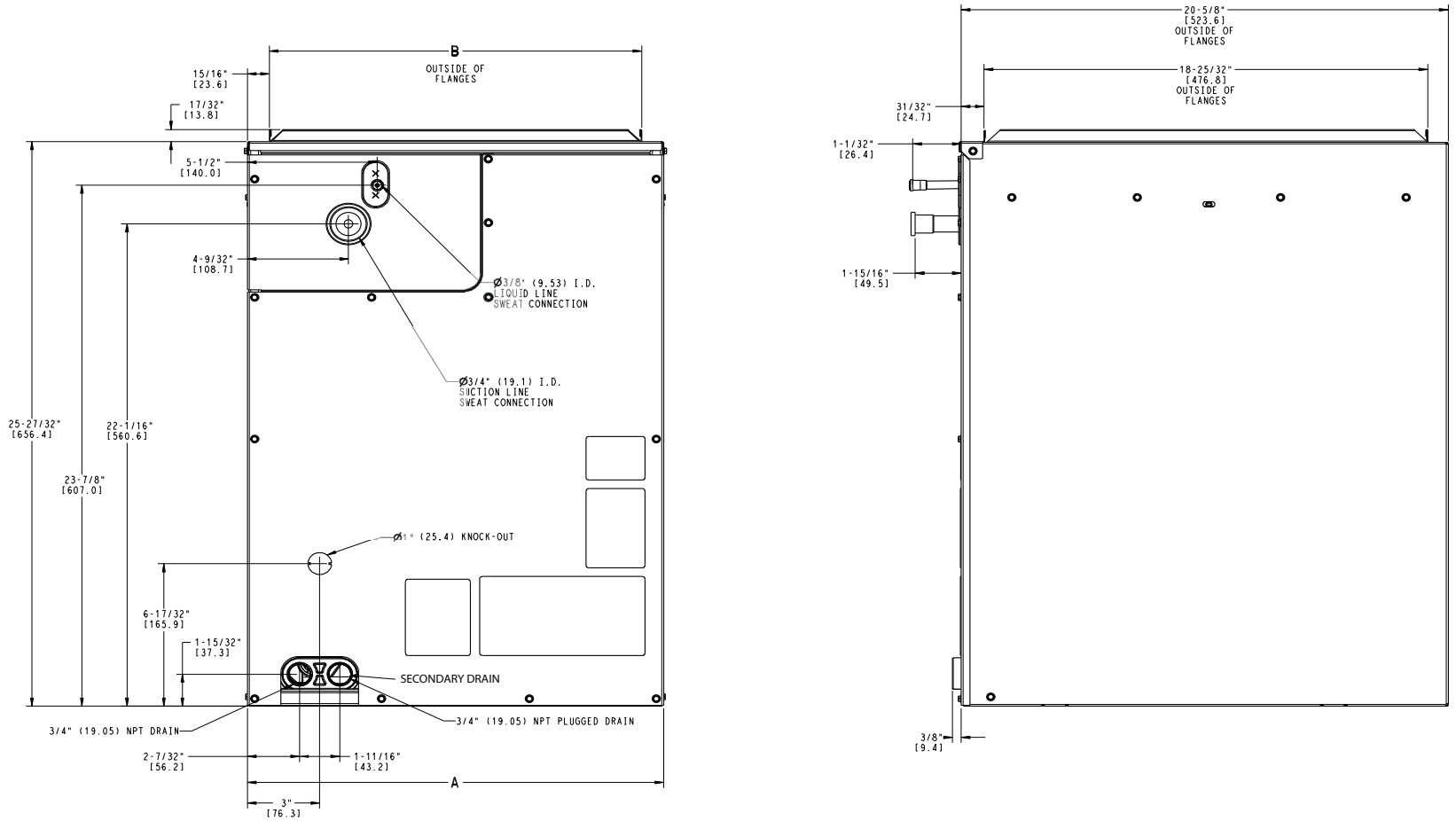


Fig. 10 – CSPVA

A210754

Table 3 – Cooling Capacities (MBH) - PURON® Refrigerant (R-410A)

| (See Legend and Notes at end of Table and on page 16.) | | | | | | | | | | | | | | | | |
|---|------------|---|------------|-----------|-----------|------------|-----------|-----------|------------|-----------|-----------|------------|-----------|-----------|------------|-----------|
| INDOOR COIL AIR | | SATURATED TEMPERATURE LEAVING EVAPORATOR (deg F) | | | | | | | | | | | | | | |
| | | 35 | | | 40 | | | 45 | | | 50 | | | 55 | | |
| CFM | EWB | TC | SHC | BF | TC | SHC | BF | TC | SHC | BF | TC | SHC | BF | TC | SHC | BF |
| CSPVA2414XMC | | | | | | | | | | | | | | | | |
| 600 | 72 | 41.95 | 20.30 | 0.00 | 37.67 | 18.17 | 0.00 | 32.89 | 15.96 | 0.00 | 27.62 | 13.71 | 0.29 | 21.89 | 11.43 | 0.23 |
| | 67 | 34.12 | 20.86 | 0.00 | 29.77 | 18.70 | 0.22 | 25.14 | 16.46 | 0.20 | 20.09 | 14.14 | 0.20 | 14.49 | 11.65 | 0.22 |
| | 62 | 27.07 | 21.32 | 0.19 | 23.00 | 19.09 | 0.19 | 18.41 | 16.74 | 0.20 | 14.57 | 14.57 | 0.20 | 12.03 | 12.03 | 0.33 |
| 800 | 72 | 50.05 | 24.32 | 0.00 | 45.84 | 22.01 | 0.00 | 40.26 | 19.46 | 0.00 | 33.76 | 16.75 | 0.34 | 26.94 | 14.08 | 0.28 |
| | 67 | 41.52 | 25.38 | 0.39 | 36.35 | 22.88 | 0.27 | 30.79 | 20.24 | 0.25 | 24.69 | 17.47 | 0.25 | 17.80 | 14.47 | 0.26 |
| | 62 | 33.11 | 26.22 | 0.24 | 28.19 | 23.59 | 0.24 | 22.60 | 20.78 | 0.24 | 18.36 | 18.36 | 0.24 | 15.30 | 15.30 | 0.36 |
| 1000 | 72 | 57.94 | 27.87 | 0.00 | 52.74 | 25.19 | 0.00 | 46.39 | 22.38 | 0.00 | 39.21 | 19.38 | 0.39 | 31.16 | 16.32 | 0.32 |
| | 67 | 47.81 | 29.25 | 0.40 | 42.04 | 26.46 | 0.32 | 35.58 | 23.49 | 0.29 | 28.57 | 20.36 | 0.29 | 20.61 | 16.93 | 0.30 |
| | 62 | 38.14 | 30.38 | 0.28 | 32.52 | 27.44 | 0.28 | 26.10 | 24.28 | 0.28 | 21.69 | 21.69 | 0.28 | 18.12 | 18.12 | 0.39 |
| CSPVA2414XMC | | | | | | | | | | | | | | | | |
| INDOOR COIL AIR | | SATURATED TEMPERATURE LEAVING EVAPORATOR (deg F) | | | | | | | | | | | | | | |
| | | 35 | | | 40 | | | 45 | | | 50 | | | 55 | | |
| CFM | EWB | TC | SHC | BF | TC | SHC | BF | TC | SHC | BF | TC | SHC | BF | TC | SHC | BF |
| CVPVA1814XMC | | | | | | | | | | | | | | | | |
| 450 | 72 | 31.31 | 15.37 | 0.00 | 27.96 | 13.65 | 0.00 | 24.20 | 11.91 | 0.00 | 20.10 | 10.14 | 0.23 | 15.71 | 8.30 | 0.22 |
| | 67 | 25.30 | 15.64 | 0.25 | 21.97 | 13.95 | 0.18 | 18.44 | 12.17 | 0.19 | 14.55 | 10.30 | 0.20 | 10.26 | 8.27 | 0.24 |
| | 62 | 19.87 | 15.75 | 0.18 | 16.93 | 14.10 | 0.18 | 13.43 | 12.22 | 0.20 | 10.36 | 10.34 | 0.21 | 8.58 | 8.58 | 0.34 |
| 600 | 72 | 37.61 | 18.53 | 0.00 | 34.45 | 16.76 | 0.00 | 29.96 | 14.68 | 0.00 | 25.00 | 12.57 | 0.29 | 19.67 | 10.38 | 0.26 |
| | 67 | 31.25 | 19.28 | 0.32 | 27.25 | 17.29 | 0.24 | 22.90 | 15.14 | 0.24 | 18.17 | 12.91 | 0.24 | 12.92 | 10.50 | 0.26 |
| | 62 | 24.78 | 19.68 | 0.22 | 21.07 | 17.64 | 0.23 | 16.71 | 15.34 | 0.24 | 13.17 | 13.17 | 0.24 | 10.70 | 10.70 | 0.38 |
| 750 | 72 | 43.85 | 21.47 | 0.00 | 40.09 | 19.42 | 0.00 | 35.03 | 17.09 | 0.00 | 29.19 | 14.66 | 0.33 | 23.09 | 12.18 | 0.30 |
| | 67 | 36.38 | 22.45 | 0.35 | 31.87 | 20.19 | 0.29 | 26.82 | 17.77 | 0.27 | 21.30 | 15.18 | 0.28 | 15.10 | 12.36 | 0.30 |
| | 62 | 28.97 | 23.09 | 0.26 | 24.58 | 20.69 | 0.26 | 19.58 | 18.12 | 0.27 | 15.79 | 15.79 | 0.27 | 12.96 | 12.96 | 0.40 |
| CVPVA1814XMC | | | | | | | | | | | | | | | | |
| INDOOR COIL AIR | | SATURATED TEMPERATURE LEAVING EVAPORATOR (deg F) | | | | | | | | | | | | | | |
| | | 35 | | | 40 | | | 45 | | | 50 | | | 55 | | |
| CFM | EWB | TC | SHC | BF | TC | SHC | BF | TC | SHC | BF | TC | SHC | BF | TC | SHC | BF |
| CVPVA1917XMC | | | | | | | | | | | | | | | | |
| 450 | 72 | 32.85 | 15.91 | 0.00 | 29.52 | 14.20 | 0.00 | 25.84 | 12.48 | 0.00 | 21.71 | 10.67 | 0.22 | 17.05 | 8.82 | 0.15 |
| | 67 | 26.69 | 16.19 | 0.21 | 23.34 | 14.46 | 0.14 | 19.73 | 12.73 | 0.13 | 15.65 | 10.83 | 0.13 | 11.33 | 8.92 | 0.15 |
| | 62 | 21.08 | 16.37 | 0.11 | 17.98 | 14.66 | 0.12 | 14.42 | 12.84 | 0.12 | 11.04 | 11.04 | 0.14 | 9.08 | 9.07 | 0.28 |
| 600 | 72 | 40.05 | 19.64 | 0.00 | 36.82 | 17.65 | 0.00 | 32.34 | 15.57 | 0.00 | 27.29 | 13.39 | 0.27 | 21.56 | 11.15 | 0.19 |
| | 67 | 33.40 | 20.23 | 0.30 | 29.28 | 18.15 | 0.19 | 24.76 | 16.01 | 0.17 | 19.74 | 13.73 | 0.16 | 14.36 | 11.39 | 0.18 |
| | 62 | 26.55 | 20.67 | 0.15 | 22.59 | 18.53 | 0.15 | 18.12 | 16.26 | 0.16 | 14.33 | 14.33 | 0.16 | 11.82 | 11.82 | 0.30 |
| 750 | 72 | 47.04 | 22.76 | 0.00 | 43.22 | 20.63 | 0.00 | 38.03 | 18.27 | 0.00 | 32.16 | 15.78 | 0.30 | 25.51 | 13.20 | 0.22 |
| | 67 | 39.19 | 23.74 | 0.32 | 34.43 | 21.38 | 0.22 | 29.21 | 18.94 | 0.20 | 23.41 | 16.35 | 0.20 | 17.01 | 13.58 | 0.21 |
| | 62 | 31.24 | 24.44 | 0.19 | 26.78 | 22.04 | 0.19 | 21.44 | 19.39 | 0.19 | 17.34 | 17.34 | 0.18 | 14.33 | 14.33 | 0.32 |

Table 3 – Cooling Capacities (MBH) - PURON® Refrigerant (R-410A) (Continued)

| INDOOR COIL AIR | | SATURATED TEMPERATURE LEAVING EVAPORATOR (deg F) | | | | | | | | | | | | | | |
|---------------------|-----|--|-------|------|-------|-------|------|-------|-------|------|-------|-------|------|-------|-------|------|
| | | 35 | | | 40 | | | 45 | | | 50 | | | 55 | | |
| CFM | EWB | TC | SHC | BF | TC | SHC | BF | TC | SHC | BF | TC | SHC | BF | TC | SHC | BF |
| CVPVA2414XMC | | | | | | | | | | | | | | | | |
| 600 | 72 | 38.06 | 18.85 | 0.00 | 34.74 | 17.01 | 0.00 | 30.37 | 14.96 | 0.00 | 25.46 | 12.83 | 0.31 | 19.95 | 10.60 | 0.26 |
| | 67 | 31.57 | 19.60 | 0.35 | 27.59 | 17.60 | 0.24 | 23.30 | 15.48 | 0.24 | 18.38 | 13.15 | 0.24 | 13.13 | 10.76 | 0.26 |
| | 62 | 25.08 | 20.08 | 0.22 | 21.25 | 17.92 | 0.22 | 16.96 | 15.69 | 0.23 | 13.39 | 13.39 | 0.24 | 11.00 | 11.00 | 0.37 |
| 800 | 72 | 46.08 | 22.66 | 0.00 | 42.15 | 20.53 | 0.00 | 36.86 | 18.08 | 0.00 | 31.01 | 15.61 | 0.36 | 24.45 | 12.99 | 0.31 |
| | 67 | 38.30 | 23.78 | 0.38 | 33.43 | 21.40 | 0.29 | 28.38 | 18.91 | 0.29 | 22.55 | 16.23 | 0.29 | 16.05 | 13.29 | 0.30 |
| | 62 | 30.58 | 24.57 | 0.27 | 26.09 | 22.10 | 0.27 | 20.62 | 19.29 | 0.28 | 16.79 | 16.79 | 0.28 | 13.96 | 13.96 | 0.40 |
| 1000 | 72 | 53.45 | 26.08 | 0.00 | 48.57 | 23.56 | 0.00 | 42.53 | 20.82 | 0.00 | 35.61 | 18.00 | 0.38 | 28.53 | 15.13 | 0.35 |
| | 67 | 44.07 | 27.42 | 0.39 | 38.67 | 24.74 | 0.34 | 32.81 | 21.93 | 0.33 | 26.00 | 18.85 | 0.32 | 18.67 | 15.61 | 0.33 |
| | 62 | 35.26 | 28.48 | 0.31 | 29.91 | 25.64 | 0.31 | 23.88 | 22.58 | 0.31 | 19.78 | 19.78 | 0.32 | 16.51 | 16.51 | 0.43 |
| CVPVA2417XMC | | | | | | | | | | | | | | | | |
| 600 | 72 | 38.15 | 18.98 | 0.00 | 34.55 | 17.06 | 0.00 | 30.16 | 14.98 | 0.00 | 25.32 | 12.86 | 0.30 | 19.85 | 10.63 | 0.25 |
| | 67 | 31.36 | 19.64 | 0.33 | 27.39 | 17.61 | 0.23 | 23.16 | 15.50 | 0.22 | 18.30 | 13.18 | 0.23 | 13.14 | 10.84 | 0.24 |
| | 62 | 24.91 | 20.09 | 0.20 | 21.10 | 17.93 | 0.21 | 16.87 | 15.70 | 0.22 | 13.27 | 13.27 | 0.23 | 10.85 | 10.84 | 0.36 |
| 800 | 72 | 45.75 | 22.73 | 0.00 | 41.97 | 20.63 | 0.00 | 36.72 | 18.18 | 0.00 | 30.91 | 15.69 | 0.35 | 24.38 | 13.07 | 0.30 |
| | 67 | 38.12 | 23.87 | 0.37 | 33.36 | 21.47 | 0.29 | 28.28 | 18.98 | 0.28 | 22.48 | 16.30 | 0.27 | 16.03 | 13.35 | 0.29 |
| | 62 | 30.33 | 24.58 | 0.26 | 25.98 | 22.17 | 0.26 | 20.64 | 19.42 | 0.26 | 16.69 | 16.69 | 0.27 | 13.88 | 13.88 | 0.38 |
| 1000 | 72 | 53.13 | 26.16 | 0.00 | 48.37 | 23.66 | 0.00 | 42.38 | 20.94 | 0.00 | 35.70 | 18.12 | 0.39 | 28.52 | 15.24 | 0.34 |
| | 67 | 43.87 | 27.50 | 0.39 | 38.42 | 24.85 | 0.32 | 32.70 | 22.03 | 0.32 | 26.02 | 18.98 | 0.31 | 18.68 | 15.71 | 0.32 |
| | 62 | 35.13 | 28.59 | 0.30 | 29.82 | 25.75 | 0.30 | 23.91 | 22.73 | 0.30 | 19.71 | 19.71 | 0.30 | 16.44 | 16.44 | 0.41 |
| CVPVA2514XMC | | | | | | | | | | | | | | | | |
| 600 | 72 | 40.37 | 19.92 | 0.00 | 36.53 | 17.88 | 0.00 | 31.89 | 15.68 | 0.00 | 26.74 | 13.42 | 0.29 | 20.79 | 11.03 | 0.22 |
| | 67 | 33.02 | 20.47 | 0.33 | 28.84 | 18.29 | 0.21 | 24.24 | 16.04 | 0.19 | 19.13 | 13.63 | 0.20 | 13.74 | 11.18 | 0.21 |
| | 62 | 26.08 | 20.79 | 0.17 | 22.09 | 18.54 | 0.18 | 17.63 | 16.20 | 0.19 | 14.18 | 14.18 | 0.17 | 11.47 | 11.47 | 0.32 |
| 800 | 72 | 49.42 | 24.29 | 0.00 | 44.70 | 21.77 | 0.00 | 39.06 | 19.13 | 0.00 | 32.81 | 16.45 | 0.34 | 25.69 | 13.62 | 0.27 |
| | 67 | 40.44 | 25.05 | 0.38 | 35.31 | 22.44 | 0.26 | 29.79 | 19.77 | 0.24 | 23.66 | 16.95 | 0.24 | 17.08 | 14.02 | 0.25 |
| | 62 | 32.03 | 25.63 | 0.22 | 27.36 | 23.05 | 0.23 | 21.77 | 20.19 | 0.23 | 17.68 | 17.68 | 0.22 | 14.60 | 14.60 | 0.35 |
| 1000 | 72 | 57.07 | 27.96 | 0.00 | 51.66 | 25.05 | 0.00 | 45.20 | 22.09 | 0.00 | 38.01 | 19.05 | 0.38 | 29.81 | 15.83 | 0.31 |
| | 67 | 46.72 | 28.95 | 0.40 | 40.87 | 26.02 | 0.30 | 34.57 | 23.00 | 0.29 | 27.46 | 19.78 | 0.28 | 19.87 | 16.46 | 0.29 |
| | 62 | 37.10 | 29.83 | 0.27 | 31.52 | 26.82 | 0.27 | 25.26 | 23.65 | 0.27 | 20.95 | 20.95 | 0.26 | 17.47 | 17.47 | 0.38 |

Table 3 – Cooling Capacities (MBH) - PURON® Refrigerant (R-410A) (Continued)

| INDOOR COIL AIR | | SATURATED TEMPERATURE LEAVING EVAPORATOR (deg F) | | | | | | | | | | | | | | |
|---------------------|-----|--|-------|------|-------|-------|------|-------|-------|------|-------|-------|------|-------|-------|------|
| | | 35 | | | 40 | | | 45 | | | 50 | | | 55 | | |
| CFM | EWB | TC | SHC | BF | TC | SHC | BF | TC | SHC | BF | TC | SHC | BF | TC | SHC | BF |
| CVPVA2517XMC | | | | | | | | | | | | | | | | |
| 600 | 72 | 45.24 | 22.02 | 0.00 | 40.81 | 19.79 | 0.00 | 35.80 | 17.43 | 0.00 | 30.31 | 15.06 | 0.27 | 23.95 | 12.54 | 0.19 |
| | 67 | 36.90 | 22.63 | 0.30 | 32.41 | 20.34 | 0.19 | 27.45 | 17.98 | 0.16 | 21.92 | 15.45 | 0.16 | 15.99 | 12.86 | 0.17 |
| | 62 | 29.37 | 23.18 | 0.15 | 25.13 | 20.86 | 0.15 | 20.13 | 18.31 | 0.15 | 15.96 | 15.96 | 0.15 | 13.12 | 13.12 | 0.30 |
| 800 | 72 | 54.18 | 26.47 | 0.00 | 49.85 | 24.04 | 0.00 | 43.92 | 21.33 | 0.00 | 37.29 | 18.53 | 0.31 | 29.62 | 15.54 | 0.23 |
| | 67 | 45.26 | 27.79 | 0.31 | 39.76 | 25.02 | 0.24 | 33.84 | 22.27 | 0.21 | 27.16 | 19.27 | 0.20 | 19.81 | 16.10 | 0.21 |
| | 62 | 36.09 | 28.67 | 0.20 | 30.98 | 25.91 | 0.20 | 24.85 | 22.88 | 0.20 | 20.05 | 20.05 | 0.20 | 16.80 | 16.80 | 0.32 |
| 1000 | 72 | 62.99 | 30.47 | 0.00 | 57.67 | 27.71 | 0.00 | 50.88 | 24.67 | 0.00 | 43.24 | 21.49 | 0.35 | 34.77 | 18.19 | 0.28 |
| | 67 | 52.20 | 32.12 | 0.33 | 45.98 | 29.05 | 0.28 | 39.27 | 25.96 | 0.25 | 31.57 | 22.56 | 0.24 | 23.01 | 18.90 | 0.25 |
| | 62 | 41.80 | 33.45 | 0.23 | 35.93 | 30.32 | 0.24 | 28.85 | 26.87 | 0.23 | 23.80 | 23.80 | 0.24 | 20.08 | 20.08 | 0.35 |
| CVPVA3014XMC | | | | | | | | | | | | | | | | |
| 750 | 72 | 50.66 | 24.57 | 0.00 | 45.71 | 22.11 | 0.00 | 40.13 | 19.54 | 0.00 | 33.89 | 16.85 | 0.36 | 27.14 | 14.18 | 0.27 |
| | 67 | 41.37 | 25.45 | 0.00 | 36.25 | 22.85 | 0.27 | 30.79 | 20.26 | 0.24 | 24.59 | 17.47 | 0.23 | 17.89 | 14.59 | 0.23 |
| | 62 | 32.95 | 26.19 | 0.22 | 27.99 | 23.51 | 0.22 | 22.43 | 20.70 | 0.22 | 18.19 | 18.19 | 0.22 | 15.19 | 15.19 | 0.34 |
| 1000 | 72 | 60.27 | 29.21 | 0.00 | 54.96 | 26.44 | 0.00 | 48.40 | 23.49 | 0.00 | 40.96 | 20.35 | 0.40 | 32.86 | 17.19 | 0.32 |
| | 67 | 49.74 | 30.61 | 0.43 | 43.77 | 27.69 | 0.31 | 37.26 | 24.63 | 0.29 | 29.79 | 21.34 | 0.28 | 21.52 | 17.79 | 0.28 |
| | 62 | 39.71 | 31.81 | 0.27 | 33.83 | 28.72 | 0.27 | 27.16 | 25.40 | 0.27 | 22.59 | 22.59 | 0.27 | 18.99 | 18.99 | 0.38 |
| 1250 | 72 | 68.50 | 33.03 | 0.00 | 62.80 | 30.13 | 0.00 | 55.42 | 26.86 | 0.00 | 47.03 | 23.40 | 0.42 | 37.42 | 19.76 | 0.35 |
| | 67 | 56.83 | 35.07 | 0.41 | 50.16 | 31.86 | 0.35 | 42.76 | 28.43 | 0.33 | 34.19 | 24.72 | 0.32 | 24.53 | 20.55 | 0.32 |
| | 62 | 45.57 | 36.79 | 0.31 | 38.82 | 33.33 | 0.31 | 31.25 | 29.62 | 0.31 | 26.44 | 26.44 | 0.31 | 22.28 | 22.28 | 0.41 |
| CVPVA3017XMC | | | | | | | | | | | | | | | | |
| 750 | 72 | 50.66 | 25.13 | 0.00 | 45.80 | 22.64 | 0.00 | 40.27 | 20.06 | 0.00 | 34.00 | 17.31 | 0.30 | 27.21 | 14.56 | 0.23 |
| | 67 | 41.50 | 26.09 | 0.29 | 36.42 | 23.47 | 0.22 | 30.94 | 20.81 | 0.20 | 24.76 | 17.94 | 0.20 | 18.06 | 14.97 | 0.20 |
| | 62 | 33.09 | 26.86 | 0.18 | 28.35 | 24.21 | 0.19 | 22.71 | 21.31 | 0.19 | 18.10 | 18.10 | 0.20 | 15.13 | 15.12 | 0.32 |
| 1000 | 72 | 60.09 | 29.83 | 0.00 | 55.27 | 27.24 | 0.00 | 48.78 | 24.25 | 0.00 | 41.33 | 21.08 | 0.33 | 33.17 | 17.79 | 0.28 |
| | 67 | 50.10 | 31.54 | 0.33 | 44.17 | 28.59 | 0.27 | 37.64 | 25.46 | 0.25 | 30.22 | 22.09 | 0.24 | 22.11 | 18.55 | 0.25 |
| | 62 | 40.08 | 32.80 | 0.24 | 34.48 | 29.74 | 0.24 | 27.70 | 26.36 | 0.23 | 22.70 | 22.70 | 0.24 | 19.12 | 19.12 | 0.35 |
| 1250 | 72 | 68.19 | 33.71 | 0.00 | 63.11 | 31.00 | 0.00 | 55.83 | 27.72 | 0.00 | 47.41 | 24.18 | 0.37 | 37.82 | 20.45 | 0.31 |
| | 67 | 57.19 | 36.13 | 0.35 | 50.57 | 32.88 | 0.31 | 43.25 | 29.44 | 0.29 | 34.77 | 25.66 | 0.28 | 25.36 | 21.57 | 0.29 |
| | 62 | 45.90 | 37.91 | 0.28 | 39.34 | 34.45 | 0.28 | 31.81 | 30.70 | 0.27 | 26.82 | 26.82 | 0.28 | 22.57 | 22.57 | 0.39 |

Table 3 – Cooling Capacities (MBH) - PURON® Refrigerant (R-410A) (Continued)

| INDOOR COIL AIR | | SATURATED TEMPERATURE LEAVING EVAPORATOR (deg F) | | | | | | | | | | | | | | |
|---------------------|-----|--|-------|------|-------|-------|------|-------|-------|------|-------|-------|------|-------|-------|------|
| | | 35 | | | 40 | | | 45 | | | 50 | | | 55 | | |
| CFM | EWB | TC | SHC | BF | TC | SHC | BF | TC | SHC | BF | TC | SHC | BF | TC | SHC | BF |
| CVPVA3117XMC | | | | | | | | | | | | | | | | |
| 750 | 72 | 48.31 | 23.38 | 0.00 | 43.93 | 21.18 | 0.00 | 38.71 | 18.80 | 0.00 | 32.87 | 16.31 | 0.23 | 26.11 | 13.66 | 0.17 |
| | 67 | 39.74 | 24.37 | 0.21 | 35.07 | 22.00 | 0.17 | 29.78 | 19.51 | 0.15 | 23.91 | 16.85 | 0.15 | 17.53 | 14.08 | 0.16 |
| | 62 | 31.75 | 25.08 | 0.13 | 27.29 | 22.68 | 0.14 | 22.00 | 20.03 | 0.14 | 17.25 | 17.25 | 0.16 | 14.43 | 14.43 | 0.29 |
| 1000 | 72 | 57.79 | 27.96 | 0.00 | 53.28 | 25.60 | 0.00 | 47.20 | 22.90 | 0.00 | 40.23 | 19.99 | 0.27 | 32.08 | 16.87 | 0.21 |
| | 67 | 48.28 | 29.69 | 0.25 | 42.74 | 26.97 | 0.21 | 36.52 | 24.11 | 0.19 | 29.51 | 21.01 | 0.19 | 21.78 | 17.74 | 0.19 |
| | 62 | 38.74 | 30.93 | 0.18 | 33.49 | 28.17 | 0.18 | 27.04 | 25.00 | 0.18 | 22.03 | 22.03 | 0.19 | 18.57 | 18.57 | 0.31 |
| 1250 | 72 | 66.42 | 31.88 | 0.00 | 61.12 | 29.29 | 0.00 | 54.24 | 26.33 | 0.00 | 46.38 | 23.12 | 0.30 | 37.15 | 19.63 | 0.25 |
| | 67 | 55.30 | 34.17 | 0.28 | 49.10 | 31.20 | 0.25 | 42.17 | 28.06 | 0.23 | 34.14 | 24.57 | 0.22 | 25.28 | 20.88 | 0.22 |
| | 62 | 44.57 | 35.98 | 0.22 | 38.39 | 32.80 | 0.22 | 31.26 | 29.35 | 0.21 | 26.13 | 26.12 | 0.23 | 22.08 | 22.08 | 0.35 |
| CVPVA3617XMC | | | | | | | | | | | | | | | | |
| 900 | 72 | 59.55 | 29.55 | 0.00 | 54.44 | 26.84 | 0.00 | 47.80 | 23.73 | 0.00 | 40.29 | 20.46 | 0.33 | 32.20 | 17.20 | 0.26 |
| | 67 | 49.33 | 30.93 | 0.37 | 43.24 | 27.81 | 0.26 | 36.66 | 24.63 | 0.24 | 29.32 | 21.26 | 0.23 | 21.36 | 17.74 | 0.23 |
| | 62 | 39.28 | 31.85 | 0.22 | 33.65 | 28.75 | 0.22 | 26.91 | 25.31 | 0.22 | 21.68 | 21.68 | 0.22 | 18.19 | 18.19 | 0.34 |
| 1200 | 72 | 71.40 | 35.22 | 0.00 | 65.42 | 32.08 | 0.00 | 57.59 | 28.52 | 0.00 | 48.64 | 24.69 | 0.38 | 38.60 | 20.76 | 0.31 |
| | 67 | 59.24 | 37.20 | 0.38 | 52.14 | 33.67 | 0.31 | 44.36 | 29.95 | 0.29 | 35.46 | 25.94 | 0.28 | 25.80 | 21.73 | 0.28 |
| | 62 | 47.29 | 38.66 | 0.27 | 40.38 | 34.97 | 0.27 | 32.51 | 31.01 | 0.27 | 26.94 | 26.94 | 0.27 | 22.67 | 22.67 | 0.38 |
| 1500 | 72 | 81.69 | 39.99 | 0.00 | 74.74 | 36.49 | 0.00 | 65.86 | 32.58 | 0.00 | 55.79 | 28.36 | 0.41 | 44.31 | 23.93 | 0.34 |
| | 67 | 67.67 | 42.61 | 0.40 | 59.64 | 38.67 | 0.35 | 50.88 | 34.56 | 0.33 | 40.67 | 30.02 | 0.32 | 29.67 | 25.32 | 0.32 |
| | 62 | 54.19 | 44.68 | 0.31 | 46.62 | 40.62 | 0.31 | 37.27 | 36.04 | 0.31 | 31.49 | 31.49 | 0.31 | 26.59 | 26.59 | 0.42 |
| CVPVA3621XMC | | | | | | | | | | | | | | | | |
| 900 | 72 | 60.16 | 30.07 | 0.00 | 54.89 | 27.26 | 0.00 | 48.25 | 24.12 | 0.00 | 40.76 | 20.82 | 0.35 | 32.65 | 17.53 | 0.26 |
| | 67 | 49.73 | 31.40 | 0.00 | 43.59 | 28.20 | 0.26 | 37.00 | 25.03 | 0.23 | 29.61 | 21.63 | 0.22 | 21.60 | 18.10 | 0.23 |
| | 62 | 39.57 | 32.33 | 0.22 | 33.84 | 29.13 | 0.22 | 27.06 | 25.67 | 0.21 | 21.94 | 21.94 | 0.21 | 18.43 | 18.43 | 0.33 |
| 1200 | 72 | 72.09 | 35.82 | 0.00 | 65.96 | 32.57 | 0.00 | 58.14 | 28.99 | 0.00 | 49.23 | 25.14 | 0.39 | 39.46 | 21.23 | 0.32 |
| | 67 | 59.70 | 37.76 | 0.40 | 52.56 | 34.14 | 0.31 | 44.74 | 30.42 | 0.29 | 35.81 | 26.40 | 0.27 | 26.09 | 22.17 | 0.27 |
| | 62 | 47.62 | 39.22 | 0.27 | 40.89 | 35.55 | 0.27 | 32.73 | 31.50 | 0.26 | 27.24 | 27.24 | 0.26 | 22.96 | 22.96 | 0.37 |
| 1500 | 72 | 81.31 | 40.28 | 0.00 | 75.23 | 37.07 | 0.00 | 66.47 | 33.10 | 0.00 | 56.46 | 28.88 | 0.42 | 44.87 | 24.40 | 0.34 |
| | 67 | 68.09 | 43.19 | 0.40 | 60.11 | 39.22 | 0.35 | 51.32 | 35.11 | 0.33 | 41.07 | 30.56 | 0.31 | 30.00 | 25.83 | 0.31 |
| | 62 | 54.51 | 45.31 | 0.31 | 46.60 | 41.17 | 0.30 | 37.57 | 36.67 | 0.30 | 31.84 | 31.84 | 0.31 | 26.92 | 26.92 | 0.41 |

Table 3 – Cooling Capacities (MBH) - PURON® Refrigerant (R-410A) (Continued)

| INDOOR COIL AIR | | SATURATED TEMPERATURE LEAVING EVAPORATOR (deg F) | | | | | | | | | | | | | | |
|---------------------|-----|--|-------|------|-------|-------|------|-------|-------|------|-------|-------|------|-------|-------|------|
| | | 35 | | | 40 | | | 45 | | | 50 | | | 55 | | |
| CFM | EWB | TC | SHC | BF | TC | SHC | BF | TC | SHC | BF | TC | SHC | BF | TC | SHC | BF |
| CVPVA3721XMC | | | | | | | | | | | | | | | | |
| 900 | 72 | 61.32 | 29.68 | 0.00 | 55.63 | 26.86 | 0.00 | 48.95 | 23.79 | 0.00 | 41.46 | 20.59 | 0.31 | 33.21 | 17.33 | 0.23 |
| | 67 | 50.38 | 30.93 | 0.32 | 44.21 | 27.79 | 0.23 | 37.61 | 24.72 | 0.20 | 30.15 | 21.37 | 0.19 | 22.06 | 17.91 | 0.20 |
| | 62 | 40.13 | 31.84 | 0.18 | 34.23 | 28.67 | 0.19 | 27.62 | 25.37 | 0.19 | 22.17 | 22.17 | 0.19 | 18.66 | 18.66 | 0.31 |
| 1200 | 72 | 72.92 | 35.23 | 0.00 | 67.06 | 32.22 | 0.00 | 59.21 | 28.72 | 0.00 | 50.24 | 24.97 | 0.35 | 40.39 | 21.15 | 0.28 |
| | 67 | 60.73 | 37.37 | 0.33 | 53.52 | 33.79 | 0.28 | 45.61 | 30.15 | 0.25 | 36.66 | 26.23 | 0.24 | 26.89 | 22.11 | 0.24 |
| | 62 | 48.52 | 38.84 | 0.24 | 41.75 | 35.28 | 0.24 | 33.56 | 31.30 | 0.23 | 27.71 | 27.71 | 0.24 | 23.41 | 23.41 | 0.35 |
| 1500 | 72 | 82.48 | 39.65 | 0.00 | 76.45 | 36.61 | 0.00 | 67.69 | 32.81 | 0.00 | 57.60 | 28.67 | 0.38 | 45.93 | 24.28 | 0.31 |
| | 67 | 69.19 | 42.72 | 0.36 | 61.20 | 38.84 | 0.32 | 52.35 | 34.84 | 0.30 | 42.09 | 30.41 | 0.28 | 30.87 | 25.74 | 0.28 |
| | 62 | 55.45 | 44.82 | 0.28 | 47.56 | 40.83 | 0.27 | 38.51 | 36.44 | 0.27 | 32.47 | 32.47 | 0.28 | 27.58 | 27.58 | 0.38 |
| CVPVA3817XMC | | | | | | | | | | | | | | | | |
| 900 | 72 | 66.07 | 31.91 | 0.00 | 60.51 | 29.14 | 0.00 | 53.50 | 25.93 | 0.00 | 45.53 | 22.52 | 0.26 | 36.40 | 18.96 | 0.18 |
| | 67 | 54.68 | 33.46 | 0.24 | 48.32 | 30.25 | 0.18 | 41.21 | 26.95 | 0.16 | 33.18 | 23.39 | 0.14 | 24.47 | 19.70 | 0.15 |
| | 62 | 43.69 | 34.53 | 0.14 | 37.44 | 31.22 | 0.14 | 30.29 | 27.69 | 0.14 | 24.16 | 24.16 | 0.15 | 20.25 | 20.25 | 0.28 |
| 1200 | 72 | 79.72 | 38.31 | 0.00 | 73.31 | 35.16 | 0.00 | 65.05 | 31.50 | 0.00 | 55.57 | 27.54 | 0.30 | 44.55 | 23.33 | 0.22 |
| | 67 | 66.30 | 40.72 | 0.27 | 58.77 | 37.01 | 0.23 | 50.27 | 33.13 | 0.20 | 40.62 | 28.98 | 0.19 | 30.05 | 24.56 | 0.19 |
| | 62 | 53.16 | 42.51 | 0.18 | 45.65 | 38.61 | 0.18 | 37.12 | 34.48 | 0.18 | 30.81 | 30.81 | 0.18 | 25.92 | 25.92 | 0.31 |
| 1500 | 72 | 91.34 | 43.62 | 0.00 | 83.79 | 40.08 | 0.00 | 74.58 | 36.13 | 0.00 | 63.95 | 31.79 | 0.32 | 51.42 | 27.10 | 0.26 |
| | 67 | 75.79 | 46.79 | 0.29 | 67.42 | 42.76 | 0.26 | 57.89 | 38.51 | 0.24 | 46.90 | 33.84 | 0.22 | 34.76 | 28.85 | 0.22 |
| | 62 | 60.90 | 49.27 | 0.22 | 52.78 | 45.15 | 0.22 | 42.76 | 40.40 | 0.21 | 36.45 | 36.45 | 0.22 | 30.76 | 30.76 | 0.34 |
| CVPVA4217XMC | | | | | | | | | | | | | | | | |
| 1050 | 72 | 65.43 | 31.44 | 0.00 | 59.39 | 28.48 | 0.00 | 52.11 | 25.23 | 0.00 | 43.99 | 21.82 | 0.33 | 34.78 | 18.27 | 0.26 |
| | 67 | 53.67 | 32.89 | 0.32 | 47.22 | 29.72 | 0.26 | 40.13 | 26.40 | 0.25 | 32.15 | 22.83 | 0.24 | 23.48 | 19.13 | 0.24 |
| | 62 | 42.89 | 34.07 | 0.23 | 36.64 | 30.75 | 0.23 | 29.52 | 27.22 | 0.23 | 24.03 | 24.03 | 0.24 | 20.16 | 20.16 | 0.35 |
| 1400 | 72 | 76.92 | 36.84 | 0.00 | 70.69 | 33.74 | 0.00 | 62.23 | 30.07 | 0.00 | 52.71 | 26.19 | 0.37 | 41.80 | 22.05 | 0.32 |
| | 67 | 63.99 | 39.33 | 0.36 | 56.40 | 35.67 | 0.32 | 48.14 | 31.89 | 0.30 | 38.65 | 27.74 | 0.29 | 28.13 | 23.27 | 0.30 |
| | 62 | 51.30 | 41.18 | 0.28 | 43.92 | 37.36 | 0.28 | 35.46 | 33.24 | 0.28 | 29.62 | 29.62 | 0.29 | 25.00 | 25.00 | 0.40 |
| 1750 | 72 | 87.33 | 41.55 | 0.00 | 80.24 | 38.22 | 0.00 | 70.83 | 34.23 | 0.00 | 60.13 | 29.96 | 0.40 | 47.64 | 25.28 | 0.35 |
| | 67 | 72.62 | 44.86 | 0.38 | 63.96 | 40.92 | 0.34 | 54.90 | 36.66 | 0.34 | 43.99 | 31.96 | 0.33 | 32.19 | 27.03 | 0.33 |
| | 62 | 58.47 | 47.43 | 0.32 | 50.06 | 43.20 | 0.32 | 40.44 | 38.54 | 0.32 | 34.43 | 34.43 | 0.33 | 29.17 | 29.17 | 0.43 |

Table 3 – Cooling Capacities (MBH) - PURON® Refrigerant (R-410A) (Continued)

| INDOOR COIL AIR | | SATURATED TEMPERATURE LEAVING EVAPORATOR (deg F) | | | | | | | | | | | | | | |
|---------------------|-----|--|-------|------|-------|-------|------|-------|-------|------|-------|-------|------|-------|-------|------|
| | | 35 | | | 40 | | | 45 | | | 50 | | | 55 | | |
| CFM | EWB | TC | SHC | BF | TC | SHC | BF | TC | SHC | BF | TC | SHC | BF | TC | SHC | BF |
| CVPVA4221XMC | | | | | | | | | | | | | | | | |
| 1050 | 72 | 67.79 | 33.30 | 0.00 | 61.46 | 30.13 | 0.00 | 53.97 | 26.70 | 0.00 | 45.68 | 23.14 | 0.36 | 36.22 | 19.42 | 0.28 |
| | 67 | 55.62 | 34.83 | 0.39 | 48.84 | 31.40 | 0.29 | 41.53 | 27.93 | 0.26 | 33.24 | 24.17 | 0.25 | 24.28 | 20.29 | 0.25 |
| | 62 | 44.37 | 36.06 | 0.24 | 37.80 | 32.52 | 0.24 | 30.43 | 28.80 | 0.24 | 24.94 | 24.94 | 0.24 | 20.94 | 20.94 | 0.36 |
| 1400 | 72 | 79.88 | 39.09 | 0.00 | 73.16 | 35.70 | 0.00 | 64.43 | 31.80 | 0.00 | 54.67 | 27.73 | 0.40 | 43.49 | 23.40 | 0.33 |
| | 67 | 66.20 | 41.59 | 0.39 | 58.32 | 37.68 | 0.34 | 49.72 | 33.65 | 0.32 | 39.90 | 29.31 | 0.30 | 29.02 | 24.63 | 0.30 |
| | 62 | 52.97 | 43.49 | 0.30 | 45.23 | 39.41 | 0.30 | 36.47 | 35.07 | 0.29 | 30.68 | 30.68 | 0.30 | 25.90 | 25.90 | 0.40 |
| 1750 | 72 | 89.44 | 43.70 | 0.00 | 82.93 | 40.37 | 0.00 | 73.30 | 36.18 | 0.00 | 62.24 | 31.63 | 0.43 | 49.48 | 26.79 | 0.37 |
| | 67 | 75.08 | 47.39 | 0.41 | 66.36 | 43.15 | 0.37 | 56.74 | 38.71 | 0.35 | 45.40 | 33.78 | 0.34 | 33.13 | 28.56 | 0.34 |
| | 62 | 60.13 | 49.92 | 0.34 | 51.46 | 45.48 | 0.33 | 41.63 | 40.66 | 0.33 | 35.61 | 35.61 | 0.34 | 30.13 | 30.13 | 0.44 |
| CVPVA4224XMC | | | | | | | | | | | | | | | | |
| 1050 | 72 | 74.72 | 35.51 | 0.00 | 68.10 | 32.34 | 0.00 | 60.27 | 28.85 | 0.00 | 51.53 | 25.22 | 0.30 | 41.29 | 21.27 | 0.22 |
| | 67 | 61.57 | 37.31 | 0.28 | 54.52 | 33.85 | 0.22 | 46.55 | 30.20 | 0.19 | 37.57 | 26.35 | 0.18 | 27.74 | 22.31 | 0.17 |
| | 62 | 49.21 | 38.69 | 0.17 | 42.40 | 35.17 | 0.17 | 34.19 | 31.23 | 0.17 | 27.99 | 27.99 | 0.17 | 23.60 | 23.60 | 0.30 |
| 1400 | 72 | 88.62 | 41.93 | 0.00 | 81.41 | 38.52 | 0.00 | 72.32 | 34.59 | 0.00 | 61.98 | 30.40 | 0.34 | 49.86 | 25.88 | 0.26 |
| | 67 | 73.58 | 44.80 | 0.31 | 65.34 | 40.84 | 0.27 | 56.04 | 36.73 | 0.24 | 45.38 | 32.27 | 0.22 | 33.59 | 27.49 | 0.22 |
| | 62 | 59.09 | 47.08 | 0.22 | 50.82 | 42.97 | 0.22 | 41.35 | 38.50 | 0.21 | 35.15 | 35.15 | 0.22 | 29.58 | 29.58 | 0.34 |
| 1750 | 72 | 100.52 | 47.28 | 0.00 | 92.09 | 43.51 | 0.00 | 82.10 | 39.32 | 0.00 | 70.58 | 34.75 | 0.36 | 56.93 | 29.76 | 0.30 |
| | 67 | 83.23 | 51.00 | 0.33 | 74.16 | 46.75 | 0.30 | 63.79 | 42.23 | 0.28 | 51.81 | 37.34 | 0.26 | 38.38 | 31.96 | 0.26 |
| | 62 | 66.94 | 54.08 | 0.26 | 57.78 | 49.65 | 0.26 | 47.22 | 44.81 | 0.25 | 41.18 | 41.18 | 0.26 | 34.80 | 34.80 | 0.37 |
| CVPVA4821XMC | | | | | | | | | | | | | | | | |
| 1200 | 72 | 73.87 | 35.91 | 0.00 | 67.26 | 32.69 | 0.00 | 59.32 | 29.10 | 0.00 | 50.53 | 25.40 | 0.35 | 40.27 | 21.41 | 0.28 |
| | 67 | 60.80 | 37.84 | 0.35 | 53.64 | 34.26 | 0.28 | 45.78 | 30.63 | 0.25 | 36.83 | 26.68 | 0.24 | 27.06 | 22.53 | 0.24 |
| | 62 | 48.63 | 39.41 | 0.24 | 41.58 | 35.70 | 0.23 | 33.61 | 31.77 | 0.23 | 27.83 | 27.83 | 0.23 | 23.56 | 23.56 | 0.35 |
| 1600 | 72 | 85.80 | 41.62 | 0.00 | 79.40 | 38.44 | 0.00 | 70.40 | 34.51 | 0.00 | 60.05 | 30.24 | 0.39 | 48.05 | 25.71 | 0.32 |
| | 67 | 71.91 | 44.97 | 0.37 | 63.61 | 40.91 | 0.33 | 54.43 | 36.75 | 0.31 | 43.93 | 32.24 | 0.29 | 32.18 | 27.29 | 0.29 |
| | 62 | 57.60 | 47.29 | 0.29 | 49.42 | 43.11 | 0.28 | 40.07 | 38.60 | 0.28 | 34.55 | 34.55 | 0.28 | 29.07 | 29.07 | 0.39 |
| 2000 | 72 | 96.29 | 46.56 | 0.00 | 89.52 | 43.29 | 0.00 | 79.58 | 39.08 | 0.00 | 68.10 | 34.44 | 0.42 | 55.12 | 29.51 | 0.37 |
| | 67 | 80.98 | 51.00 | 0.39 | 71.92 | 46.66 | 0.37 | 61.79 | 42.16 | 0.35 | 49.89 | 37.15 | 0.33 | 36.81 | 31.75 | 0.33 |
| | 62 | 65.18 | 54.29 | 0.33 | 55.93 | 49.66 | 0.32 | 45.77 | 44.98 | 0.31 | 40.04 | 40.04 | 0.33 | 33.77 | 33.77 | 0.43 |

Table 3 – Cooling Capacities (MBH) - PURON® Refrigerant (R-410A) (Continued)

| INDOOR COIL AIR | | SATURATED TEMPERATURE LEAVING EVAPORATOR (deg F) | | | | | | | | | | | | | | |
|---------------------|-----|--|-------|------|--------|-------|------|-------|-------|------|-------|-------|------|-------|-------|------|
| | | 35 | | | 40 | | | 45 | | | 50 | | | 55 | | |
| CFM | EWB | TC | SHC | BF | TC | SHC | BF | TC | SHC | BF | TC | SHC | BF | TC | SHC | BF |
| CVPVA4824XMC | | | | | | | | | | | | | | | | |
| 1200 | 72 | 79.81 | 39.46 | 0.00 | 72.63 | 35.89 | 0.00 | 64.23 | 32.05 | 0.00 | 54.82 | 28.00 | 0.36 | 44.23 | 23.72 | 0.28 |
| | 67 | 65.66 | 41.55 | 0.35 | 58.07 | 37.69 | 0.28 | 49.57 | 33.68 | 0.25 | 39.89 | 29.37 | 0.23 | 29.37 | 24.88 | 0.23 |
| | 62 | 52.48 | 43.24 | 0.23 | 45.18 | 39.31 | 0.23 | 36.39 | 34.98 | 0.22 | 30.13 | 30.13 | 0.22 | 25.54 | 25.54 | 0.34 |
| 1600 | 72 | 92.80 | 45.79 | 0.00 | 85.82 | 42.25 | 0.00 | 76.13 | 37.94 | 0.00 | 65.13 | 33.33 | 0.39 | 52.26 | 28.37 | 0.32 |
| | 67 | 77.65 | 49.37 | 0.37 | 68.80 | 44.96 | 0.33 | 58.91 | 40.41 | 0.30 | 47.64 | 35.54 | 0.28 | 35.17 | 30.33 | 0.28 |
| | 62 | 62.25 | 52.00 | 0.28 | 53.44 | 47.46 | 0.27 | 43.37 | 42.51 | 0.27 | 37.47 | 37.47 | 0.27 | 31.56 | 31.56 | 0.38 |
| 2000 | 72 | 104.22 | 51.22 | 0.00 | 96.76 | 47.59 | 0.00 | 86.10 | 42.99 | 0.00 | 73.87 | 37.96 | 0.42 | 59.44 | 32.52 | 0.35 |
| | 67 | 87.44 | 56.01 | 0.39 | 77.79 | 51.29 | 0.36 | 66.83 | 46.35 | 0.34 | 54.08 | 40.97 | 0.32 | 39.80 | 35.01 | 0.32 |
| | 62 | 70.20 | 59.49 | 0.32 | 60.49 | 54.66 | 0.31 | 49.10 | 49.17 | 0.31 | 43.45 | 43.45 | 0.32 | 36.70 | 36.70 | 0.42 |
| CVPVA4924XMC | | | | | | | | | | | | | | | | |
| 1500 | 72 | 90.26 | 43.73 | 0.00 | 82.55 | 40.07 | 0.00 | 73.49 | 36.11 | 0.00 | 63.13 | 31.82 | 0.35 | 50.91 | 27.11 | 0.28 |
| | 67 | 74.67 | 46.77 | 0.32 | 66.41 | 42.72 | 0.28 | 57.05 | 38.44 | 0.26 | 46.10 | 33.79 | 0.24 | 34.38 | 29.04 | 0.23 |
| | 62 | 59.91 | 49.19 | 0.24 | 51.58 | 45.00 | 0.23 | 42.01 | 40.40 | 0.22 | 36.06 | 36.06 | 0.23 | 30.41 | 30.41 | 0.34 |
| 2000 | 72 | 104.83 | 50.53 | 0.00 | 96.12 | 46.62 | 0.00 | 85.82 | 42.26 | 0.00 | 73.96 | 37.49 | 0.38 | 59.91 | 32.27 | 0.33 |
| | 67 | 86.77 | 54.89 | 0.35 | 77.52 | 50.46 | 0.33 | 66.78 | 45.69 | 0.31 | 54.39 | 40.64 | 0.29 | 40.25 | 34.86 | 0.28 |
| | 62 | 69.94 | 58.58 | 0.29 | 60.46 | 54.03 | 0.28 | 49.45 | 48.80 | 0.28 | 43.97 | 43.97 | 0.29 | 37.22 | 37.22 | 0.39 |
| 2500 | 72 | 114.87 | 55.49 | 0.00 | 106.87 | 51.96 | 0.00 | 95.76 | 47.41 | 0.00 | 82.86 | 42.35 | 0.41 | 67.33 | 36.71 | 0.36 |
| | 67 | 96.83 | 61.97 | 0.38 | 86.52 | 57.14 | 0.36 | 74.87 | 52.09 | 0.35 | 61.10 | 46.60 | 0.33 | 45.24 | 40.22 | 0.32 |
| | 62 | 78.12 | 66.89 | 0.33 | 67.54 | 61.88 | 0.32 | 56.77 | 56.77 | 0.27 | 51.01 | 51.00 | 0.34 | 43.04 | 43.04 | 0.44 |
| CVPVA6021XMC | | | | | | | | | | | | | | | | |
| 1500 | 72 | 92.18 | 45.15 | 0.00 | 84.27 | 41.37 | 0.00 | 74.67 | 37.06 | 0.00 | 63.78 | 32.50 | 0.32 | 50.99 | 27.54 | 0.25 |
| | 67 | 76.06 | 48.00 | 0.30 | 67.47 | 43.74 | 0.26 | 57.74 | 39.27 | 0.24 | 46.57 | 34.35 | 0.22 | 34.46 | 29.21 | 0.22 |
| | 62 | 61.03 | 50.36 | 0.22 | 52.46 | 45.90 | 0.21 | 42.66 | 41.04 | 0.21 | 35.94 | 35.94 | 0.22 | 30.24 | 30.24 | 0.34 |
| 2000 | 72 | 107.54 | 52.39 | 0.00 | 98.92 | 48.45 | 0.00 | 88.01 | 43.76 | 0.00 | 75.42 | 38.60 | 0.36 | 60.27 | 32.90 | 0.30 |
| | 67 | 89.41 | 56.86 | 0.34 | 79.57 | 52.11 | 0.31 | 68.33 | 47.07 | 0.29 | 55.39 | 41.54 | 0.27 | 40.86 | 35.38 | 0.27 |
| | 62 | 71.82 | 60.29 | 0.27 | 62.36 | 55.44 | 0.27 | 50.59 | 49.88 | 0.26 | 44.03 | 44.03 | 0.28 | 37.26 | 37.26 | 0.38 |
| 2500 | 72 | 120.20 | 58.41 | 0.00 | 110.76 | 54.30 | 0.00 | 98.73 | 49.28 | 0.00 | 84.93 | 43.76 | 0.39 | 68.10 | 37.54 | 0.34 |
| | 67 | 100.05 | 64.24 | 0.37 | 89.24 | 59.15 | 0.35 | 76.96 | 53.76 | 0.33 | 62.47 | 47.72 | 0.31 | 46.27 | 40.95 | 0.31 |
| | 62 | 80.63 | 68.87 | 0.31 | 69.69 | 63.62 | 0.30 | 58.75 | 59.43 | 0.28 | 51.14 | 51.14 | 0.33 | 43.33 | 43.33 | 0.42 |

Table 3 – Cooling Capacities (MBH) - PURON® Refrigerant (R-410A) (Continued)

| INDOOR COIL AIR | | SATURATED TEMPERATURE LEAVING EVAPORATOR (deg F) | | | | | | | | | | | | | | |
|---------------------|-----|--|-------|------|--------|-------|------|--------|-------|------|-------|-------|------|-------|-------|------|
| | | 35 | | | 40 | | | 45 | | | 50 | | | 55 | | |
| CFM | EWB | TC | SHC | BF | TC | SHC | BF | TC | SHC | BF | TC | SHC | BF | TC | SHC | BF |
| CVPVA6024XMC | | | | | | | | | | | | | | | | |
| 1500 | 72 | 95.05 | 47.18 | 0.00 | 86.49 | 43.00 | 0.00 | 76.55 | 38.48 | 0.00 | 65.38 | 33.70 | 0.35 | 51.86 | 28.42 | 0.27 |
| | 67 | 78.43 | 50.08 | 0.34 | 69.21 | 45.39 | 0.29 | 59.16 | 40.67 | 0.26 | 47.65 | 35.57 | 0.24 | 35.04 | 30.13 | 0.24 |
| | 62 | 62.48 | 52.17 | 0.24 | 53.93 | 47.59 | 0.24 | 43.48 | 42.45 | 0.23 | 36.52 | 36.52 | 0.23 | 30.90 | 30.90 | 0.35 |
| 2000 | 72 | 110.73 | 54.63 | 0.00 | 101.58 | 50.38 | 0.00 | 90.20 | 45.36 | 0.00 | 77.27 | 39.99 | 0.39 | 62.03 | 34.13 | 0.32 |
| | 67 | 91.79 | 59.02 | 0.37 | 81.54 | 53.95 | 0.33 | 69.87 | 48.63 | 0.31 | 56.53 | 42.89 | 0.29 | 41.61 | 36.55 | 0.29 |
| | 62 | 73.61 | 62.44 | 0.29 | 63.34 | 57.26 | 0.28 | 51.39 | 51.36 | 0.28 | 45.11 | 45.11 | 0.29 | 38.01 | 38.01 | 0.39 |
| 2500 | 72 | 122.60 | 60.37 | 0.00 | 113.83 | 56.48 | 0.00 | 101.48 | 51.19 | 0.00 | 87.16 | 45.35 | 0.41 | 69.91 | 38.89 | 0.36 |
| | 67 | 102.94 | 66.78 | 0.39 | 91.68 | 61.38 | 0.37 | 78.81 | 55.62 | 0.35 | 63.73 | 49.18 | 0.33 | 47.11 | 42.25 | 0.33 |
| | 62 | 82.83 | 71.48 | 0.33 | 71.33 | 65.79 | 0.32 | 59.65 | 61.14 | 0.30 | 51.69 | 51.69 | 0.34 | 43.99 | 43.99 | 0.44 |
| CVPVA6121XMC | | | | | | | | | | | | | | | | |
| 1500 | 72 | 94.46 | 45.65 | 0.00 | 86.26 | 41.81 | 0.00 | 76.80 | 37.61 | 0.00 | 65.93 | 33.10 | 0.30 | 53.14 | 28.19 | 0.23 |
| | 67 | 77.91 | 48.53 | 0.27 | 69.38 | 44.37 | 0.23 | 59.55 | 39.89 | 0.21 | 48.22 | 35.07 | 0.19 | 35.85 | 29.95 | 0.18 |
| | 62 | 62.60 | 51.02 | 0.19 | 53.97 | 46.63 | 0.18 | 43.99 | 41.83 | 0.18 | 37.12 | 37.12 | 0.19 | 31.34 | 31.34 | 0.31 |
| 2000 | 72 | 110.16 | 52.98 | 0.00 | 101.33 | 49.08 | 0.00 | 90.57 | 44.50 | 0.00 | 78.09 | 39.47 | 0.33 | 63.23 | 33.91 | 0.27 |
| | 67 | 91.60 | 57.64 | 0.30 | 81.85 | 53.03 | 0.27 | 70.60 | 48.04 | 0.25 | 57.38 | 42.57 | 0.24 | 42.80 | 36.62 | 0.23 |
| | 62 | 73.76 | 61.30 | 0.24 | 63.81 | 56.46 | 0.23 | 52.76 | 51.59 | 0.22 | 45.76 | 45.76 | 0.25 | 38.83 | 38.83 | 0.36 |
| 2500 | 72 | 122.87 | 59.05 | 0.00 | 113.06 | 54.89 | 0.00 | 101.33 | 50.02 | 0.00 | 87.66 | 44.67 | 0.35 | 71.21 | 38.64 | 0.31 |
| | 67 | 102.27 | 65.08 | 0.33 | 91.57 | 60.13 | 0.31 | 79.23 | 54.80 | 0.29 | 64.58 | 48.89 | 0.27 | 48.31 | 42.31 | 0.27 |
| | 62 | 82.54 | 69.99 | 0.28 | 71.56 | 64.86 | 0.27 | 60.86 | 60.73 | 0.25 | 53.27 | 53.27 | 0.29 | 45.29 | 45.29 | 0.40 |
| CVPVA6124XMC | | | | | | | | | | | | | | | | |
| 1500 | 72 | 94.46 | 45.65 | 0.00 | 86.26 | 41.81 | 0.00 | 76.80 | 37.61 | 0.00 | 65.93 | 33.10 | 0.30 | 53.14 | 28.19 | 0.23 |
| | 67 | 77.91 | 48.53 | 0.27 | 69.38 | 44.37 | 0.23 | 59.55 | 39.89 | 0.21 | 48.22 | 35.07 | 0.19 | 35.85 | 29.95 | 0.18 |
| | 62 | 62.60 | 51.02 | 0.19 | 53.97 | 46.63 | 0.18 | 43.99 | 41.83 | 0.18 | 37.12 | 37.12 | 0.19 | 31.34 | 31.34 | 0.31 |
| 2000 | 72 | 110.16 | 52.98 | 0.00 | 101.33 | 49.08 | 0.00 | 90.57 | 44.50 | 0.00 | 78.09 | 39.47 | 0.33 | 63.23 | 33.91 | 0.27 |
| | 67 | 91.60 | 57.64 | 0.30 | 81.85 | 53.03 | 0.27 | 70.60 | 48.04 | 0.25 | 57.38 | 42.57 | 0.24 | 42.80 | 36.62 | 0.23 |
| | 62 | 73.76 | 61.30 | 0.24 | 63.81 | 56.46 | 0.23 | 52.76 | 51.59 | 0.22 | 45.76 | 45.76 | 0.25 | 38.83 | 38.83 | 0.36 |
| 2500 | 72 | 122.87 | 59.05 | 0.00 | 113.06 | 54.89 | 0.00 | 101.33 | 50.02 | 0.00 | 87.66 | 44.67 | 0.35 | 71.21 | 38.64 | 0.31 |
| | 67 | 102.27 | 65.08 | 0.33 | 91.57 | 60.13 | 0.31 | 79.23 | 54.80 | 0.29 | 64.58 | 48.89 | 0.27 | 48.31 | 42.31 | 0.27 |
| | 62 | 82.54 | 69.99 | 0.28 | 71.56 | 64.86 | 0.27 | 60.86 | 60.73 | 0.25 | 53.27 | 53.27 | 0.29 | 45.29 | 45.29 | 0.40 |

CFM - Cubic Ft. per Minute EWB - Entering Wet Bulb (°F) LWB - Leaving Wet Bulb (°F) TC - Gross Cooling Capacity 1000 Btuh
 SHC - Gross Sensible Capacity 1000 Btuh BF - Bypass Factor MBH - 1000 Btuh

COOLING CAPACITIES NOTES:

1. Contact manufacturer for cooling capacities at conditions other than shown in table.
2. Formulas:
 Leaving db = entering db - $\frac{\text{sensible heat cap.}}{1.09 \times \text{CFM}}$
 Leaving wb = wb corresponding to enthalpy of air leaving coil (h_{LWB})

 $h_{LWB} = h_{EWB} - \frac{\text{total capacity (Btuh)}}{4.5 \times \text{CFM}}$
 Where h_{EWB} = enthalpy of air entering coil
3. SHC is based on 80°F db temperature of air entering the evaporator coil.
 Below 80°F db, subtract (Correction Factor x CFM) from SHC.
 Above 80°F db, add (Correction Factor x CFM) to SHC.
4. Direct interpolation is permissible. Do not extrapolate.
5. Fan motor heat has not been deducted.
6. All data points are based on approximately 10°F superheat measured at the suction service valve and use of thermostatic expansion valve (TXV) device.
7. All units have sweat suction-tube connection and a liquid-tube connection. For 1-1/8-in. system suction tube, 3/4 x 1-1/8-in. suction tube connection adapter is available as accessory.
8. Before using maximum cfm shown in table, check coil static pressure drop to ensure system blower can provide necessary static pressure needed for coil and duct systems.
9. Bypass Factor = 0 indicates no psychometric solution. Use bypass factor of next lower EWB for approximation.

| BYPASS FACTOR | ENTERING AIR DRY BULB TEMPERATURE (°F) | | | | | |
|-------------------|--|------|------|------|------|-------------------------|
| | 79 | 78 | 77 | 76 | 75 | Under 75 |
| | 81 | 82 | 83 | 84 | 84 | Above 85 |
| Correction Factor | | | | | | |
| 0.10 | 0.98 | 1.96 | 2.94 | 3.92 | 4.91 | Use formula shown below |
| 0.20 | 0.87 | 1.74 | 2.62 | 3.49 | 4.36 | |
| 0.30 | 0.76 | 1.53 | 2.29 | 3.05 | 3.82 | |

Interpolation is permissible.

$$\text{Correction Factor} = 1.09 \times (1 - \text{BF}) \times (\text{db} - 80)$$