



Supreme Stands
for HVAC Equipment

18550 County Rd. 81
Maple Grove, MN 55369
763-428-3677

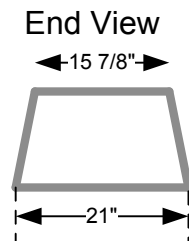
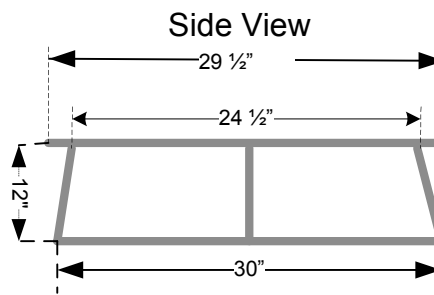
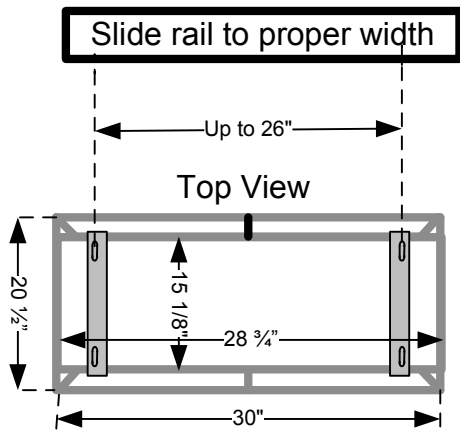
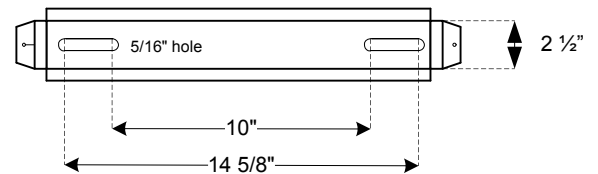
Heat Pump Stands & Wall Bracket

- Adjustable Patented Rail
- Powder Coated
- Looks Professional
- Durable
- Holds up to 2,000 lbs.
- Stackable (less space)
- Pallet quantity (72)
- Affordably priced



Adjustable top plate

Part # MIN1627



Larger Mini Split Stand (Gray)
Part # MIN1832

