



325 COMMERCE DRIVE  
 MT VERNON, OH 43050  
 800-253-8236

# SPECIFICATION DATA SHEET

DATE: 7-28-11  
 PREPARED BY: RL

# MODEL NO. 8150 SPIRAL ELBOW

STANDARD MODEL

### DIMENSIONS

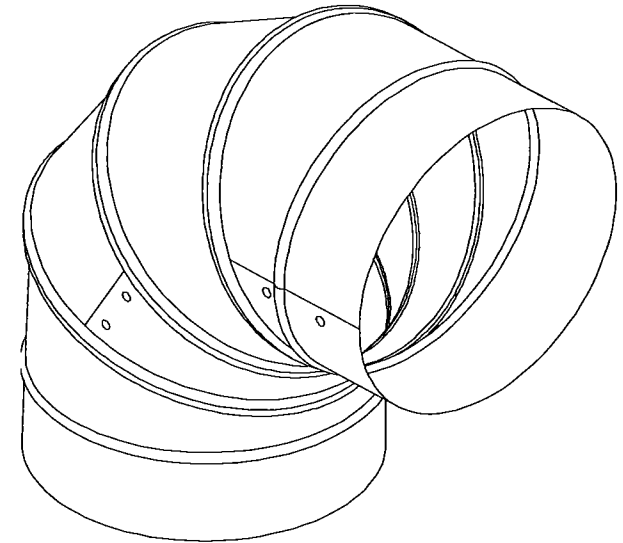
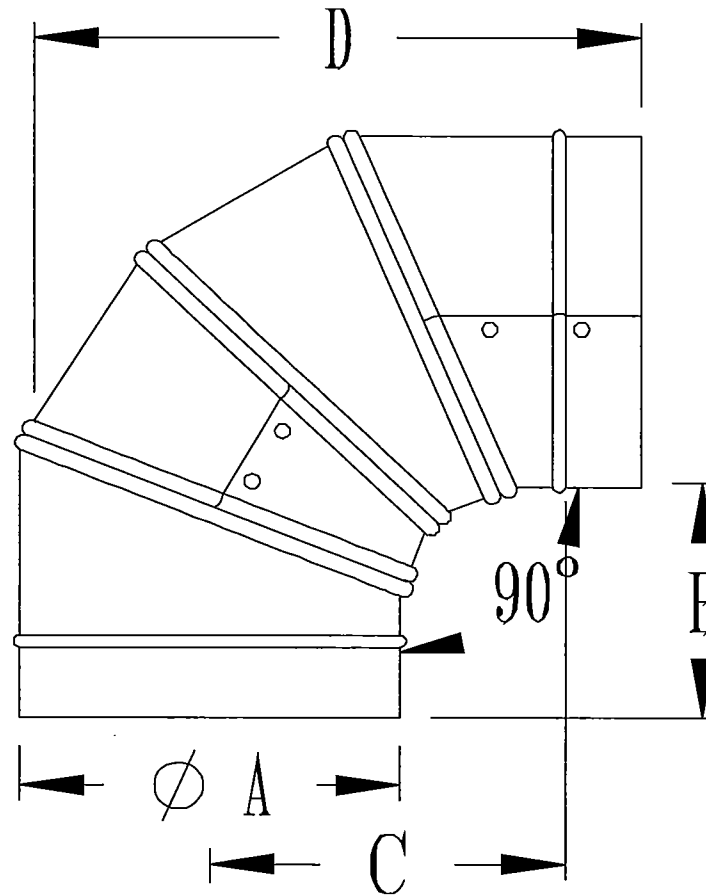
SIZE	A	B	C	D	SWEEP RATIO
4"	4"	4"	4"	8"	1.00
5"	5"	4"	4 1/2"	9"	0.90
6"	6"	4"	5"	10"	0.83
7"	7"	4"	5 1/2"	11"	0.78
8"	8"	4"	6"	12"	0.75
9"	9"	4 1/2"	7"	13 1/2"	0.78
10"	10"	5"	8"	15"	0.80
12"	12"	5 1/4"	9 1/4"	17 1/4"	0.77
14"	14"	5 1/2"	10 1/2"	19 1/2"	0.75
16"	16"	5 1/4"	11 1/4"	21 1/4"	0.70
18"	18"	4 1/2"	11 1/2"	22 1/2"	0.64
20"	20"	4 1/2"	12 1/2"	24 1/2"	0.63
22"	22"	4 1/4"	13 1/4"	26 1/4"	0.60
24"	24"	4 1/4"	14 1/4"	28 1/4"	0.59

### MATERIAL SPECIFICATIONS

HOT DIPPED GALVANIZED STEEL.  
 PER ASTM A 653 CSB.

ASSEMBLED WITH 1/8" ZINC COATED RIVETS.

PRODUCED IN 26GA AND 24GA.  
 OTHER GAUGES AVAILABLE.  
 CONSULT SMACNA DUCT CONSTRUCTION MANUAL  
 FOR CORRECT GAUGE FOR YOUR APPLICATION.



### OPTIONS

JOB: \_\_\_\_\_  
 LOCATION: \_\_\_\_\_  
 CONTRACTOR: \_\_\_\_\_  
 ENGINEER: \_\_\_\_\_  
 NOTES: \_\_\_\_\_