



325 COMMERCE DRIVE
 MT VERNON, OH 43050
 800-253-8236

SPECIFICATION DATA SHEET

DATE: 9-25-13
 PREPARED BY: RL

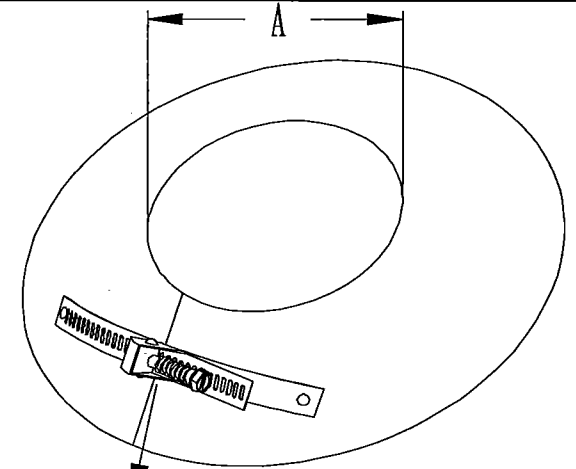
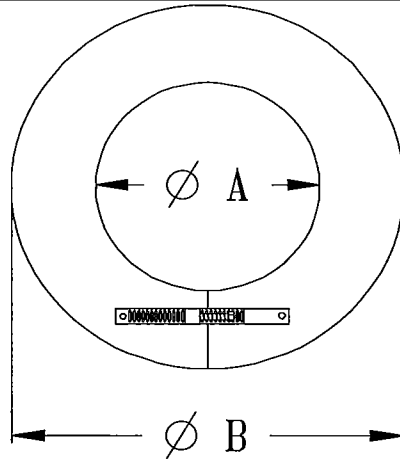
MODEL NO. 984

STORM COLLAR

STANDARD MODEL

DIMENSIONS

SIZE	A	B
3"	3"	7 1/2"
4"	4"	8 1/2"
5"	5"	9 1/2"
6"	6"	10 1/2"
7"	7"	11 1/2"
8"	8"	12 1/2"
10"	10"	14 1/2"
12"	12"	16 1/2"
14"	14"	14 1/2"
16"	16"	18 1/2"



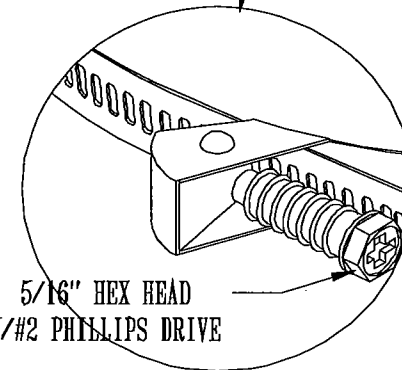
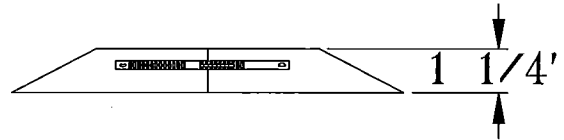
MATERIAL SPECIFICATIONS

HOT DIPPED GALVANIZED STEEL.
 PER ASTM A 653 CSB.

ASSEMBLED WITH 1/8" ZINC COATED RIVETS.

24 GAUGE CONSTRUCTION

TIPS/STRAPS ARE ZINC PLATED STEEL



ØA & ØB CAN VARY +/- 1/2" DEPENDING UPON HOW LOOSE OR TIGHT THE TIP IS LOCATED ON THE STRAP

OPTIONS

JOB: _____
 LOCATION: _____
 CONTRACTOR: _____
 ENGINEER: _____
 NOTES: _____