



325 COMMERCE DRIVE  
 MT VERNON, OH 43050  
 800-253-8236

# SPECIFICATION DATA SHEET

DATE: 10-14-13 PAGE 1  
 PREPARED BY: RL

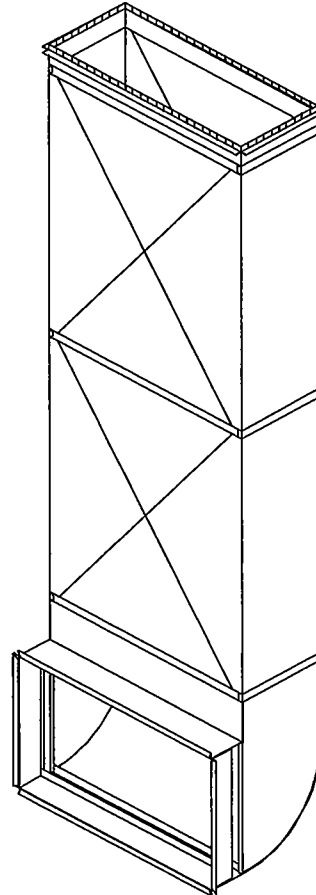
# MODEL NO. 709 COLD AIR DROP KIT - SIDE LOAD

STANDARD MODEL

### DIMENSIONS

SIZE		FILTER SIZE
PLENUM SIDE	DUCT SIDE	
16" x 20"	20" x 10"	16X20X1

### Cold Air Drop Kit Includes:



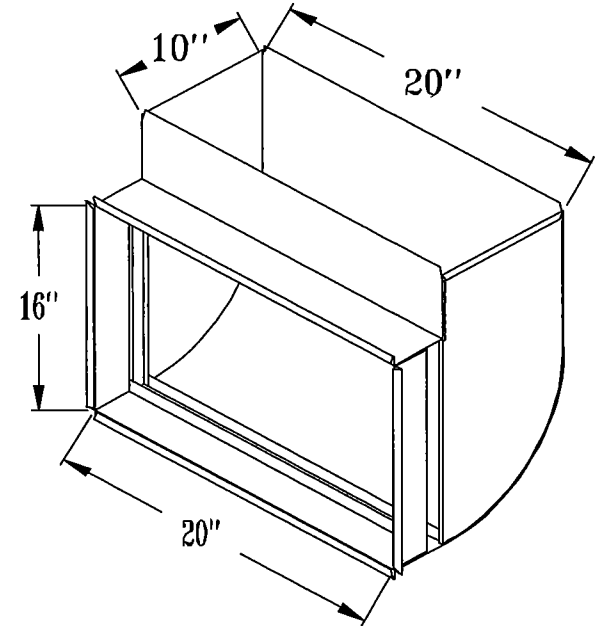
(x1) 20x10 Duct Starting Collar  
 (See page 2)

(x2) 10x20x32 Duct  
 (See page 3)

(x6) 10" Double End Drive Cleats  
 (See page 4)

(x6) 20" S-Cleats  
 (See page 5)

(x1) 16x20-20x10 Cold Air Boot w/Rack  
 (See page 6)



### MATERIAL SPECIFICATIONS

HOT DIPPED GALVANIZED STEEL.  
 PER ASTM A 653 CSB.

### OPTIONS

JOB: \_\_\_\_\_  
 LOCATION: \_\_\_\_\_  
 CONTRACTOR: \_\_\_\_\_  
 ENGINEER: \_\_\_\_\_  
 NOTES: \_\_\_\_\_



325 COMMERCE DRIVE  
MT VERNON, OH 43050  
800-253-8236

# SPECIFICATION DATA SHEET

DATE: 10-14-13  
PREPARED BY: RL  
PAGE 2

## MODEL NO. 007

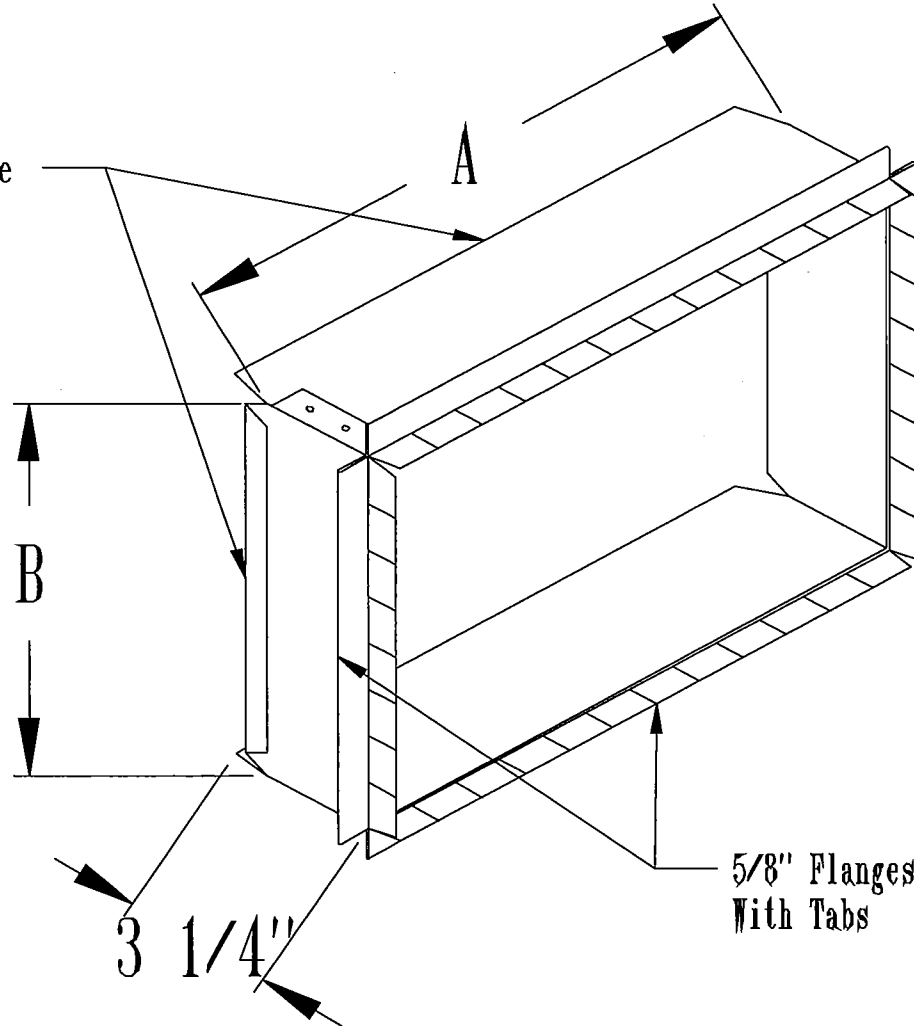
### Duct Start Collar - No Rise

STANDARD MODEL - FOR 709 DROP KIT

#### DIMENSIONS

SIZE	A	B
20X10	20"	10"

Slip & Drive  
Flanges



#### MATERIAL SPECIFICATIONS

HOT DIPPED GALVANIZED STEEL.  
PER ASTM A 653 CSB.

26 GAUGE CONSTRUCTION

#### OPTIONS

JOB: \_\_\_\_\_  
LOCATION: \_\_\_\_\_  
CONTRACTOR: \_\_\_\_\_  
ENGINEER: \_\_\_\_\_  
NOTES: \_\_\_\_\_



325 COMMERCE DRIVE  
 MT VERNON, OH 43050  
 800-253-8236

**SPECIFICATION DATA SHEET**

DATE: 10-14-13      PAGE: 3  
 PREPARED BY: RL

**MODEL NO. 153**

**DUCT**

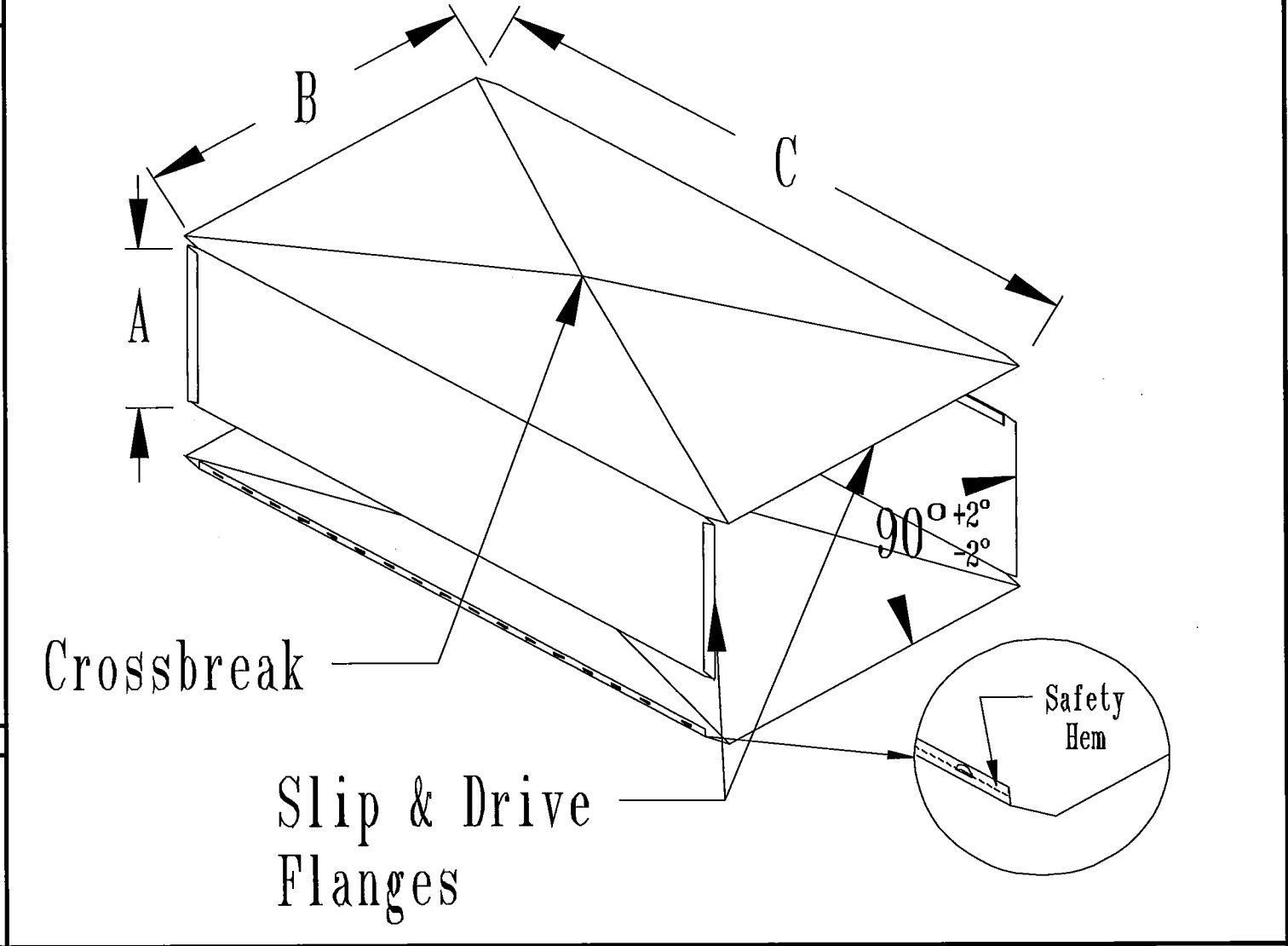
STANDARD MODEL - FOR 709 DROP KIT

SIZE			GAUGE
A	x B	x C	
10"	x 20"	x 32"	26

**MATERIAL SPECIFICATIONS**

HOT DIPPED GALVANIZED STEEL.  
 PER ASTM A 653 CSB.

**OPTIONS**



JOB: \_\_\_\_\_  
 LOCATION: \_\_\_\_\_  
 CONTRACTOR: \_\_\_\_\_  
 ENGINEER: \_\_\_\_\_  
 NOTES: \_\_\_\_\_



325 COMMERCE DRIVE  
MT VERNON, OH 43050  
800-253-8236

### SPECIFICATION DATA SHEET

DATE: 10-14-13      PAGE: 4  
PREPARED BY: RL

## MODEL NO. 700

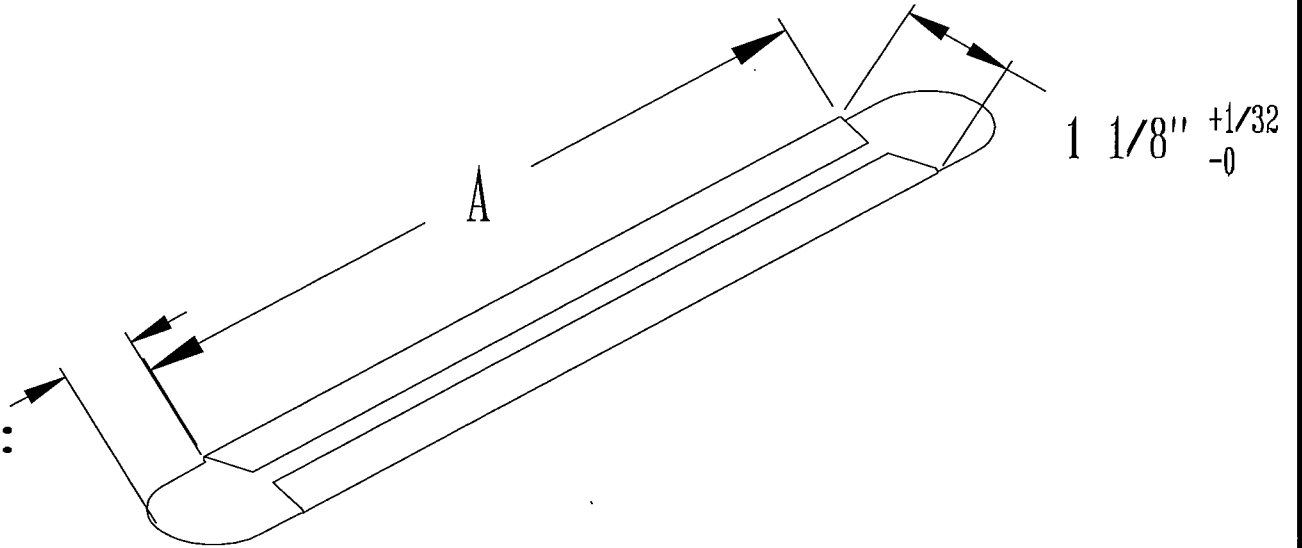
# DOUBLE END DRIVE CLEAT

STANDARD MODEL - FOR 709 DROP KIT

#### DIMENSIONS

SIZE	A	Tol.
10"	10"	+/-1/32"

Tab Length:  
7/8"



#### MATERIAL SPECIFICATIONS

HOT DIPPED GALVANIZED STEEL.  
PER ASTM A 653 CSB.

28 GAUGE CONSTRUCTION

#### OPTIONS

JOB: \_\_\_\_\_  
LOCATION: \_\_\_\_\_  
CONTRACTOR: \_\_\_\_\_  
ENGINEER: \_\_\_\_\_  
NOTES: \_\_\_\_\_



325 COMMERCE DRIVE  
 MT VERNON, OH 43050  
 800-253-8236

**SPECIFICATION DATA SHEET**

DATE: 10-14-13      PAGE: 5  
 PREPARED BY: RL

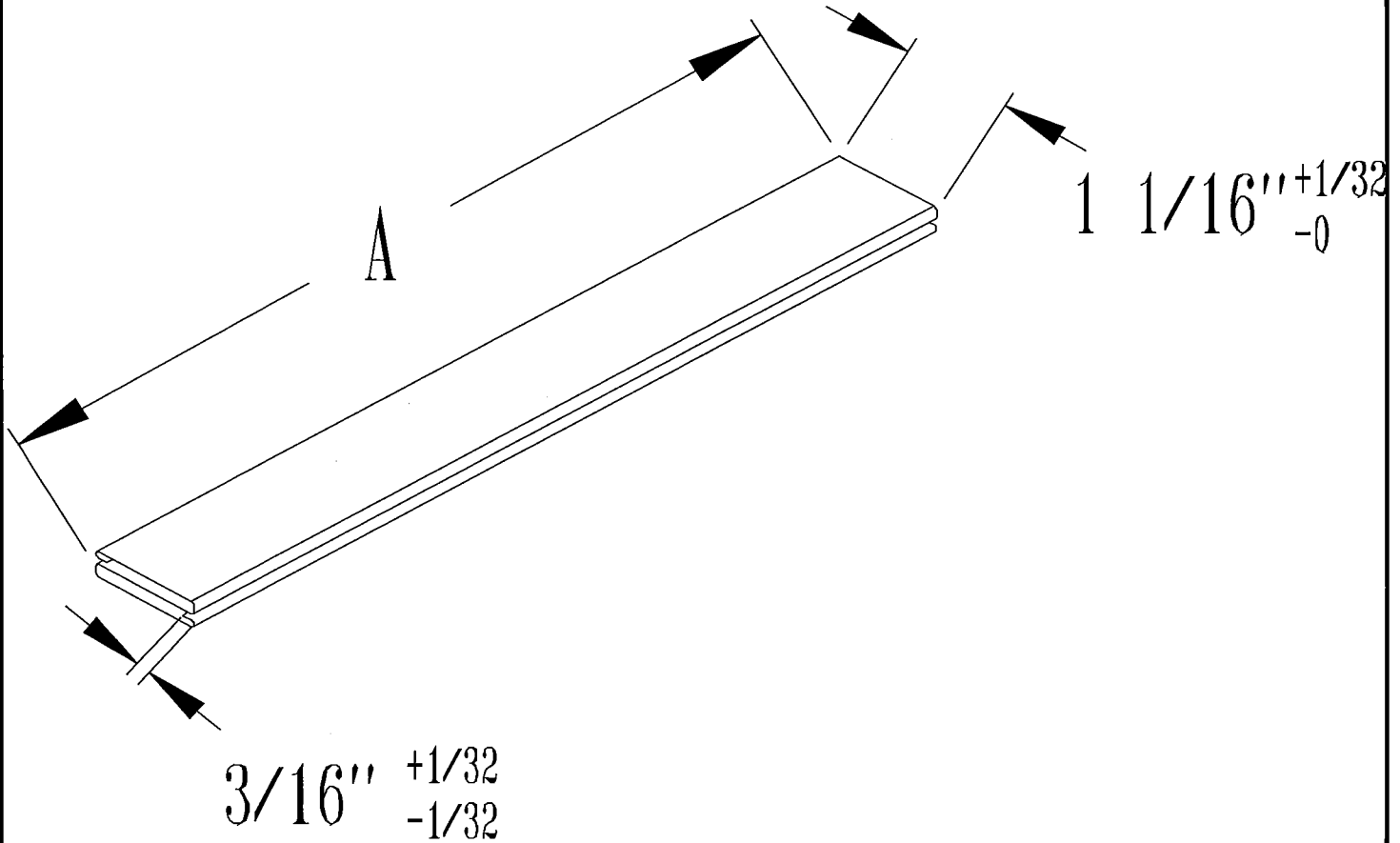
**MODEL NO. 516**

**S CLEATS**

STANDARD MODEL - FOR 709 DROP KIT

**DIMENSIONS**

SIZE    A  
 20"    19 1/2"



**MATERIAL SPECIFICATIONS**

HOT DIPPED GALVANIZED STEEL.  
 PER ASTM A 653 CSB.

STD GAUGE CONSTRUCTION

**OPTIONS**

JOB: \_\_\_\_\_  
 LOCATION: \_\_\_\_\_  
 CONTRACTOR: \_\_\_\_\_  
 ENGINEER: \_\_\_\_\_  
 NOTES: \_\_\_\_\_



325 COMMERCE DRIVE  
 MT VERNON, OH 43050  
 800-253-8236

**SPECIFICATION DATA SHEET**

DATE: 10-14-13      PAGE: 6  
 PREPARED BY: RL

**MODEL NO. 076**  
**COLD AIR BOOT - SIDE LOAD**

STANDARD MODEL - FOR 709 DROP KIT

**DIMENSIONS**

SIZE = A x B - C x D						FILTER SIZE		
PLENUM SIDE		DUCT SIDE		E	F	G	H	I
A	B	C	D					
16"	x 20"	20"	x 10"	6"	4"	17"	21"	16X20X1

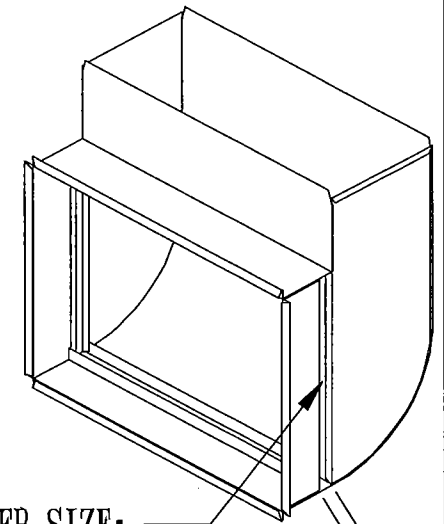
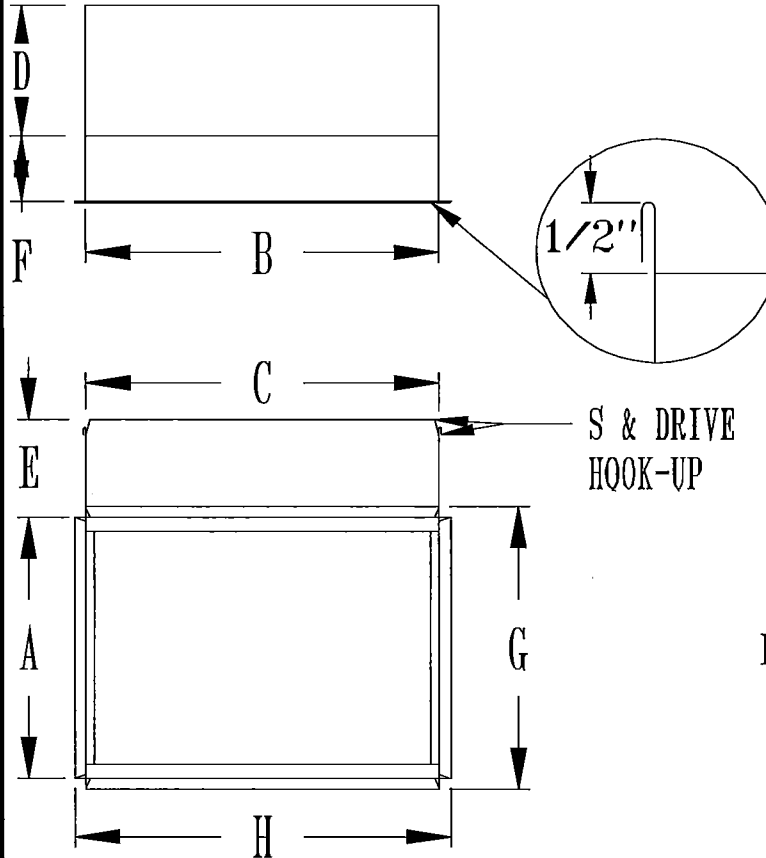
**MATERIAL SPECIFICATIONS**

HOT DIPPED GALVANIZED STEEL.  
 PER ASTM A 653 CSB.

26 GAUGE CONSTRUCTION.

PITTSBURG LOCK ASSEMBLY

**OPTIONS**



FILTER SIZE:  
 I

1 1/8"  
 FILTER  
 OPENING

JOB: \_\_\_\_\_  
 LOCATION: \_\_\_\_\_  
 CONTRACTOR: \_\_\_\_\_  
 ENGINEER: \_\_\_\_\_  
 NOTES: \_\_\_\_\_