



325 COMMERCE DRIVE
 MT VERNON, OH 43050
 800-253-8236

SPECIFICATION DATA SHEET

DATE: 4-11-13
 PREPARED BY: RL

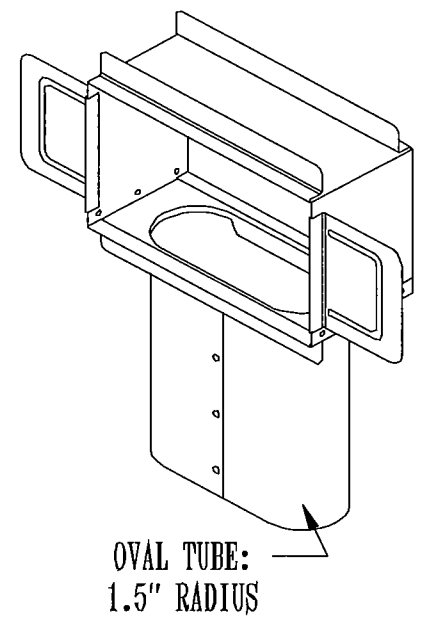
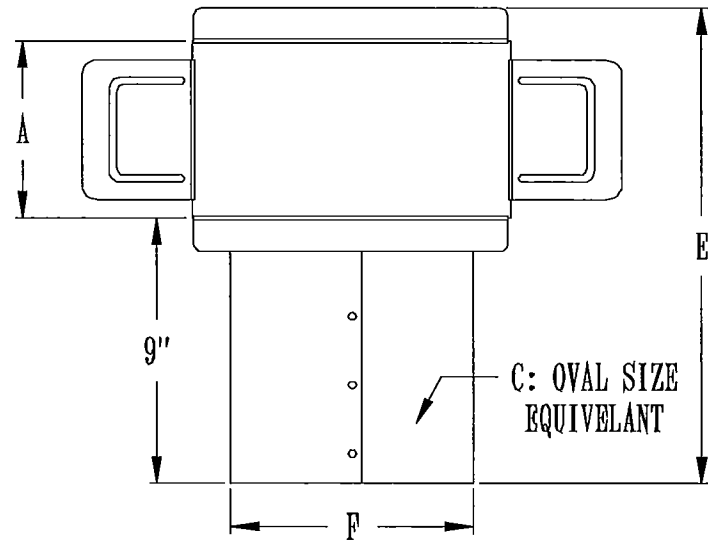
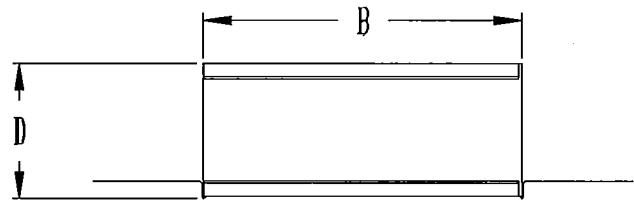
MODEL NO. 969

OVAL DOUBLE STACKHEAD W/EARS

STANDARD MODEL

DIMENSIONS

SIZE						
A	x	B	x	C	D	E
4"	x	10"	x	6"	4 1/2"	14 5/16"
4"	x	10"	x	6"	4 1/2"	14 5/16"
4"	x	10"	x	6"	4 1/2"	14 5/16"
4"	x	12"	x	7"	4 1/2"	14 5/16"
6"	x	8"	x	6"	4 1/2"	16 5/16"
6"	x	10"	x	6"	4 1/2"	16 5/16"
6"	x	10"	x	6"	4 1/2"	16 5/16"
6"	x	10"	x	7"	4 1/2"	16 5/16"
6"	x	12"	x	6"	4 1/2"	16 5/16"
6"	x	12"	x	7"	4 1/2"	16 5/16"



NOTE: EARS ARE SHOWN IN INSTALLATION POSITION.

MATERIAL SPECIFICATIONS

HOT DIPPED GALVANIZED STEEL.
 PER ASTM A 653 CSB.

ASSEMBLED WITH 1/8" ZINC COATED RIVETS.

STD GAUGE CONSTRUCTION
 BOOT CLIPS ARE STD GAUGE
 EARS ARE STD GAUGE

OPTIONS

AVAILABLE WITH SPLITTER INSIDE HEAD
 AVAILABLE WITH 12" THROAT

JOB: _____

LOCATION: _____

CONTRACTOR: _____

ENGINEER: _____

NOTES: _____