

EZX CAB

EZ Flex™ Expandable Air Filter Cabinet



Product Data



The EZ Flex™ Expandable Air Filter Cabinet sets the precedent in the air filtration industry. Coupling easy, time saving assembly and flexible design, the EZ Flex is the answer for any contractor who wants to save both time and money.

FEATURES/BENEFITS

Quick Installation

- The cabinet comes pre-assembled and mounts easily to the equipment using just four screws, saving time and effort on the job site.

Optimized Fit and Space Saving Design

- The slim cabinet is only 6.5" wide, maximizing space without compromising performance.
- Designed to fit all factory equipment, nominal filter sizes:
 - Furnaces — 16 x 25; 20 x 25; and 24 x 25
 - Air Handlers — 12 x 20; 16 x 20; 20 x 20; and 23 x 20

Filter Options Included

- Available in MERV 8, MERV 11, and MERV 13 to meet homeowner needs and/or building codes and standards.

Cleaner Air, Healthier Home

- The high-performance filter captures dust and debris, helping protect your HVAC system and improving indoor air quality (IAQ) whenever your system is running.

Improved Efficiency & System Protection

- Unlike standard box filters, this cabinet uses a lower pressure drop design that helps your HVAC system run more efficiently. It also reduces the risk of coil freeze-ups, especially important during warmer months. The cabinet is also insulated to help maintain thermal comfort of the conditioned space and reduce condensation.

Easy Filter Changes

- Filter installs to filter cabinet by positioning four corners of the expandable filter and locking in place with little effort and no tools required.
- Removing the filter is just as easy and pulls out with the cabinet door so that the filter can easily be disengaged and dropped into a trash bin.
- Disposal of the filter is a breeze. Since it is expandable, it can be compressed easily for waste management.

Built to Last

- Durable steel construction with a corrosion-resistant finish ensures long-term reliability in any installation.

Fits Your Life

- Whether you have pets, dust allergies, or just want cleaner air, this cabinet is the perfect fit for your home and your HVAC system.

MODEL NUMBER NOMENCLATURE

1	2	3	4	5	6	7	8	9	10	11	12
E	Z	X	C	A	B	X	X	0	8	1	6
Product Type EZ Flex Media Filter			Model Type with cabinet			Brand XX = Carrier/Bryant NB = ICP		Size Designation 14; 16; 17; 20; 21; 24; 25			
								MERV Rating 08; 11; 13			

DIMENSIONS

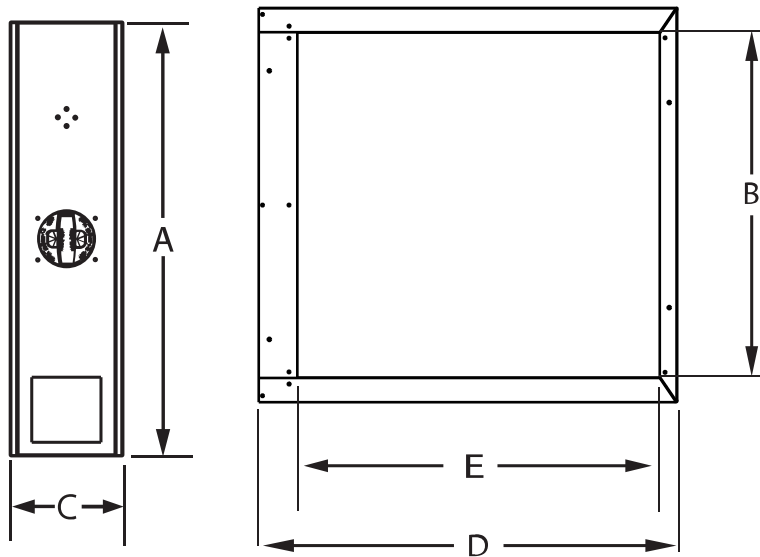


Table 1 – EZXCAB Dimensions

MODEL EZXCAB	A	B	C	D	E
EZXCAB****14	14.175" (360 mm)	11.049" (280.6 mm)	6.5" (165.1 mm)	22.25" (565.2 mm)	19.5" (495.3 mm)
EZXCAB****16	17" (431.8 mm)	13.875" (352.4 mm)		26.5" (673.1 mm)	22.958" (583.1 mm)
EZXCAB****17	17.488" (444.2 mm)	14.362" (364.8 mm)		22.25" (565.2 mm)	19.5" (495.3 mm)
EZXCAB****20	21" (533.4 mm)	17.875" (454 mm)		26.5" (673.1 mm)	22.958" (583.1 mm)
EZXCAB****21	20.988" (533.1 mm)	17.862" (453.7 mm)		22.25" (565.2 mm)	19.5" (495.3 mm)
EZXCAB****24	25" (635 mm)	21.875" (555.6 mm)		26.5" (673.1 mm)	22.958" (583.1 mm)
EZXCAB****25	24.488" (634.7 mm)	21.362" (542.6 mm)		22.25" (565.2 mm)	19.5" (495.3 mm)

PHYSICAL DATA

SIZE	14	17	21	25	16	20	24
Typical Application	Air Handler				Furnace		
Power Consumption	0						
Filter Media	Synthetic						
Shipping Weight, lb (kg)	19 (8.6)	21 (9.5)	22 (10)	24 (10.9)	23 (10.4)	25 (11.3)	27 (12.2)

MINIMUM FILTER EFFICIENCY*					
	E1 (0.3 to 1.0 µm)	E2 (1.0 to 3.0 µm)	E3 (3.0 to 10.0 µm)	MERV	Rated Airflow
EZXCAB**08** All Sizes	—	≥20%	≥70%	8	492 FPM
EZXCAB**10** All Sizes	≥20%	≥65%	≥85%	10	
EZXCAB**13** All Sizes	≥50%	≥85%	≥90%	13	

*. Minimum Efficiency Reporting Value (MERV) is specified by ASHRAE Standard 52.2. It is based on lab tests to determine the filter's ability to trap inert particles. MERVs for residential filters will typically be in the range of MERV 1-10. The higher the value, the more efficient the filter. (Human hair is approximately 50-100 microns in diameter.) Tested according to ASHRAE 52.2 2017 on *25 size.

Pressure Drop by MERV Rating

Airflow Range (CFM)	Filter Resistance to Airflow (in. w.c) by MERV Designation – 08 / 11 / 13						
	14	17	21	25	16	20	24
600	0.08 / 0.13 / 0.13	0.05 / 0.08 / 0.09	0.04 / 0.07 / 0.07	0.03 / 0.06 / 0.06	0.04 / 0.06 / 0.07	0.03 / 0.05 / 0.05	0.02 / 0.04 / 0.04
800	0.13 / 0.21 / 0.19	0.08 / 0.13 / 0.13	0.06 / 0.10 / 0.10	0.05 / 0.08 / 0.08	0.06 / 0.09 / 0.10	0.04 / 0.07 / 0.07	0.03 / 0.05 / 0.06
1000	0.19 / 0.31 / 0.28	0.11 / 0.19 / 0.18	0.09 / 0.14 / 0.14	0.07 / 0.11 / 0.11	0.08 / 0.13 / 0.13	0.05 / 0.09 / 0.09	0.04 / 0.07 / 0.07
1200	—	0.15 / 0.25 / 0.24	0.12 / 0.19 / 0.18	0.09 / 0.14 / 0.14	0.11 / 0.17 / 0.17	0.08 / 0.12 / 0.12	0.06 / 0.09 / 0.10
1400	—	0.20 / 0.32 / 0.30	0.15 / 0.25 / 0.23	0.11 / 0.18 / 0.18	0.14 / 0.23 / 0.21	0.10 / 0.16 / 0.15	0.07 / 0.12 / 0.12
1600	—	—	0.19 / 0.31 / 0.28	0.14 / 0.23 / 0.21	0.17 / 0.28 / 0.26	0.13 / 0.20 / 0.18	0.09 / 0.15 / 0.14
1800	—	—	—	0.17 / 0.28 / 0.26	0.22 / 0.34 / 0.31	0.15 / 0.24 / 0.22	0.11 / 0.18 / 0.17
2000	—	—	—	0.20 / 0.33 / 0.30	—	0.18 / 0.29 / 0.26	0.13 / 0.21 / 0.20
2200	—	—	—	—	—	0.21 / 0.33 / 0.30	0.15 / 0.25 / 0.23

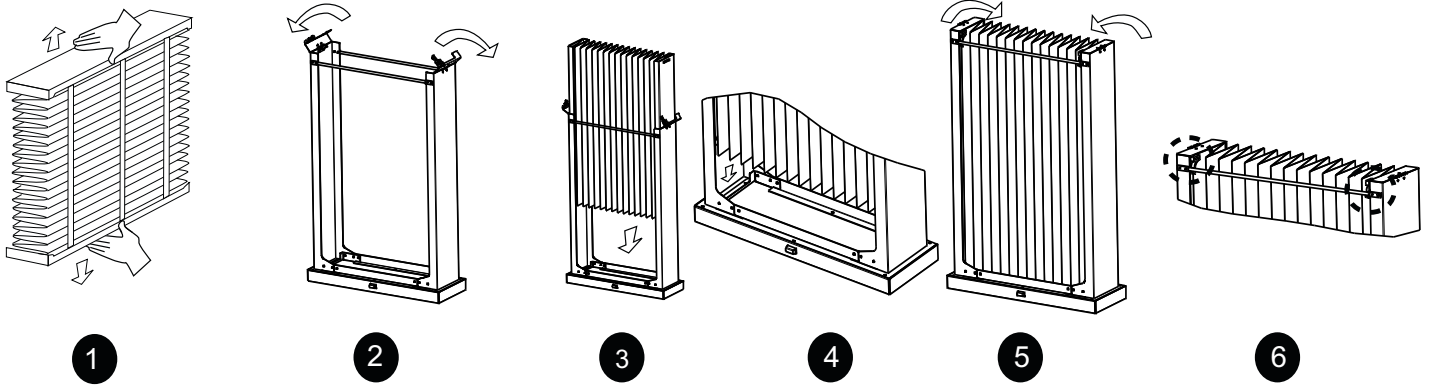
NOTE: Pressure drop data derived from test data with best fit curve. In-situ results may vary.

NOTE: When applying the EZ Flex, attention must be given to the duct and system design because all these components affect system static pressure.

Replacement Filters

PART NUMBER	MERV	Filter Size	Application
EXPXXFIL0814	8	12x20	Air Handler
EXPXXFIL1114	11	12x20	Air Handler
EXPXXFIL1314	13	12x20	Air Handler
EXPXXFIL0817	8	16x20	Air Handler
EXPXXFIL1117	11	16x20	Air Handler
EXPXXFIL1317	13	16x20	Air Handler
EXPXXFIL0821	8	20x20	Air Handler
EXPXXFIL1121	11	20x20	Air Handler
EXPXXFIL1321	13	20x20	Air Handler
EXPXXFIL0825	8	24x20	Air Handler
EXPXXFIL1125	11	24x20	Air Handler
EXPXXFIL1325	13	24x20	Air Handler
EXPXXFIL0816	8	16x25	Furnace
EXPXXFIL1116	11	16x25	Furnace
EXPXXFIL1316	13	16x25	Furnace
EXPXXFIL0820	8	20x25	Furnace
EXPXXFIL1120	11	20x25	Furnace
EXPXXFIL1320	13	20x25	Furnace
EXPXXFIL0824	8	24x25	Furnace
EXPXXFIL1124	11	24x25	Furnace
EXPXXFIL1324	13	24x25	Furnace

Assembly



A01397A

Configurations

