

Specification Submittal Data / Panasonic Ventilation Fan

Description:

Ventilating fan shall be Low Noise ceiling mount type rated for continuous run. Fan shall be ENERGY STAR® rated and certified by the Home Ventilation Institute (HVI). Evaluated by Underwriters Laboratories and conform to both UL and cUL safety standards.

Motor/Blower:

- Four-pole totally enclosed condenser motor rated for continuous run.
- Pick-A-Flow® airflow selector (70/90 CFM) spot ventilation solution
- Delivers a true flow rating of 56 CFM at 0.375" static pressure (when set at the 90 CFM setting)
- Power Rating shall be 120 volts and 60 Hz.
- Fan shall be UL and cUL listed for tub/shower enclosure when used with a GFCI protected circuit and used in insulated ceiling
- Junction box and duct adapter comes pre-attached to the housing can
- Motor equipped with thermal cutoff fuse.
- Removable with permanently lubricated plug-in motor.

Housing:

- Galvanized steel body.
- Small, 4-3/4" housing depth
- 4" round diameter duct.
- Built in backdraft damper.
- Built in metal flange provides blocking for penetrations through drywall as an Air Barrier, and assists with the decrease in leakage in the Building Envelope during blower door testing.
- Simply mounts directly to the joist using 4 screws between top and side panels.

Grille:

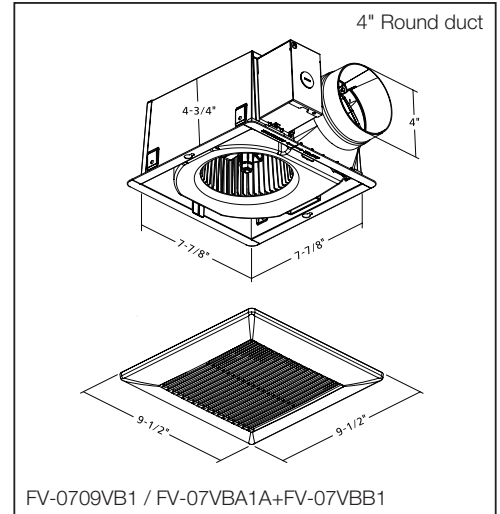
- Small, attractive design using PP material.
- Attaches directly to housing with torsion springs.

Warranty:

- ALL Parts: For period of 3 years from the date of the original purchase.

Architectural Specifications:

Ventilation fan shall be ceiling mount, ENERGY STAR rated with built in airflow selector. Select from 70/90 CFM with no more than 0.7/1.5 sones certified by the Home Ventilating Institute (HVI) at 0.1 w.g.; with no less than 56/75 CFM and no more than 1.3/1.5 sones at 0.25 w.g. and 34/56 CFM at 0.375 w.g. (sones N/A at 0.375" w.g.). Power Consumption shall be no greater than 20.0 watts at 0.1 w.g. 0.25 w.g. and 0.375 w.g. at the 70 CFM setting and 24.0 watts at 0.1 w.g., 0.25 w.g. and 0.375 w.g. at the 90CFM setting. ENERGY STAR® rated with efficiency of no less than 3.5 /3.8 CFM/watt at 0.1 w.g. and 2.8/3.1 CFM/watt at 0.25 w.g. and 1.7/2.3 CFM/watt at 0.375 w.g. The motor shall be totally enclosed, four pole condenser type engineered to run continuously. This fan meets designed airflow requirements and provides Ventilation Verification Assurance: ≥ 50 CFM Installed Performance. Power rating shall be 120v/60Hz. Duct diameter shall be no less than 4". Fan shall be UL and cUL listed for ceiling installation and tub/shower enclosure when used with a GFCI protected circuit. Fan can be used to comply with ASHRAE 62.2, LEED, ENERGY STAR, IAP, EarthCraft, California Title-24 and WA Ventilation Code.



Fan Specifications	EcoVent®: FV-0709VB1 / FV-07VBA1A+FV-07VBB1					
	Standard Speed			High Speed		
Fan Setting						
Static Pressure in inches w.g.	0.1	0.25	0.375	0.1	0.25	0.375*
Air Volume (CFM)	70	56	34	90	75	56
Noise (sones)	0.7	1.3	-	1.5	1.5	-
Power Consumption (watts)	17.8	17.2	-	22.0	24.0	-
Energy Efficiency (CFM/Watt)	3.5	2.8	1.7	3.8	3.1	2.3
Speed (RPM)	907	1200	1425	1019	1266	1450
Current (amps)	0.15	0.14	0.15	0.19	0.18	0.17
MAX. Current (amps)	0.25					
Power Rating (V/Hz)	120/60					
ENERGY STAR rated	Yes					

*Industry research indicates static pressure in typical installations ranges from 0.20" to 0.375"

Panasonic
IAQ Division
 Two Riverfront Plaza
 Newark, NJ 07102

na.panasonic.com/us/iaq



IAQ23001ST

Specification Submittal Data / Panasonic Ventilation Fan

ECOVENT® IS OFFERED IN TWO CONVENIENT PACKS:

Single pack: Housing and motor/grille assembly are packaged together. This easy-to-manage package design allows contractors the convenience of having multiple components assembled in one box.

Contractor pack: Housing and motor/grille assembly are packaged separately. This easy-to-manage package design allows contractors to store the components separately without fear of parts getting lost or damaged on site.

ECOVENT SINGLE PACKAGE

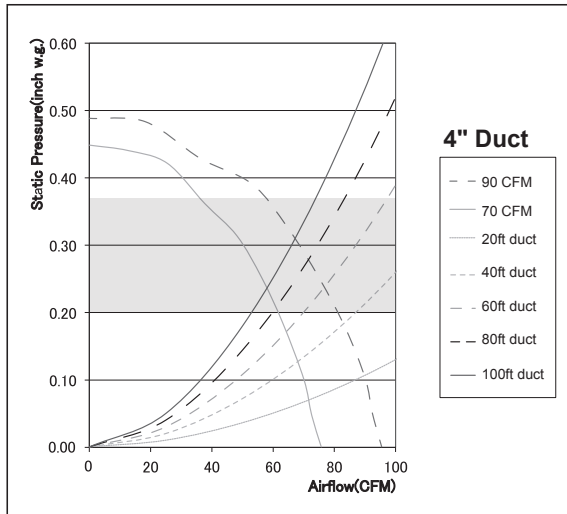
Model #	Description	Contents	Master Pack
FV-0709VB1	Fully Assembled into one box	Housing Can, Duct Adapter, Junction Box, Motor & Grille	1

OPTIONAL ECOVENT UNIVERSAL CAN CONTRACTOR PACKS

Model #	Description	Contents	Master Pack*
FV-07VBA1A	Universal Housing Can	Housing Can, Duct Adapter & Junction Box	4
FV-07VBB1	Motor/Grille Assembly	Motor & Grille	4

*Must order in quantities of 4, shipment will contain 1 box with 4 pieces of each item.

Performance Curve 4" Round duct



For complete Installation Instructions visit na.panasonic.com/us/iaq

Model	Quantity	Comments	Project:
			Location:
			Architect:
			Engineer:
			Contractor:
			Submitted by:
			Date:

Panasonic
IAQ Division
 Two Riverfront Plaza
 Newark, NJ 07102

na.panasonic.com/us/iaq



IAQ23001ST