



325 COMMERCE DRIVE  
 MT VERNON, OH 43050  
 800-253-8236

**SPECIFICATION DATA SHEET**

DATE: 1-3-12  
 PREPARED BY: RL

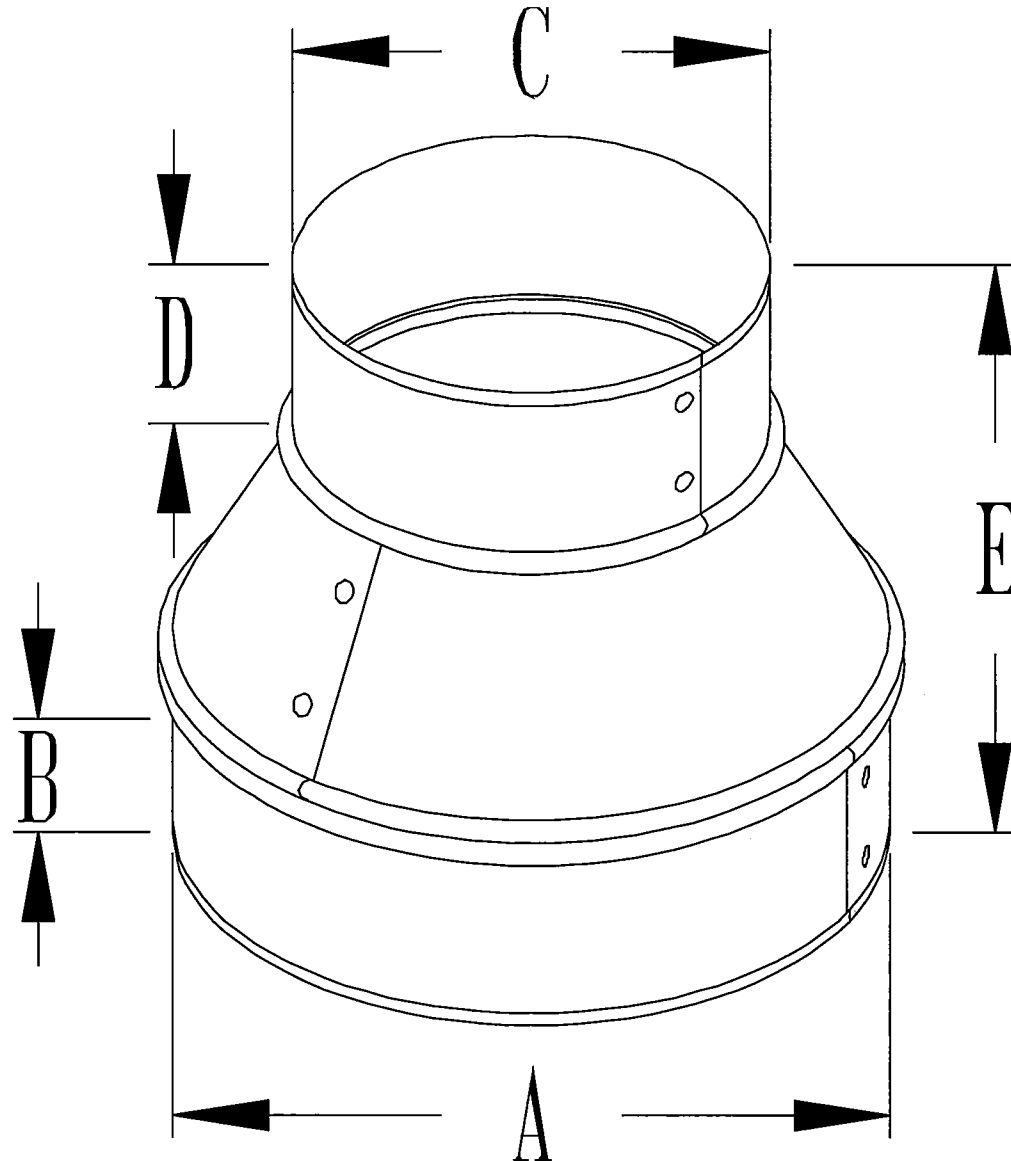
**MODEL NO. 431**

**STANDARD GAUGE TAPERED REDUCER**

STANDARD MODEL

**DIMENSIONS**

SIZE	A	B	C	D	E
4x3	4"	2 1/4"	3"	2 1/4"	5 3/4"
5x3	5"	2"-HEM	3"	2 1/4"	6 1/4"
5x4	5"	2"-HEM	4"	2 1/4"	6 1/4"
6x3	6"	2"-HEM	3"	2 1/4"	6 5/8"
6x4	6"	2"-HEM	4"	2 1/4"	6 1/4"
6x5	6"	2"-HEM	5"	2"-HEM	6"
7x3	7"	2"-HEM	3"	2 1/4"	7"
7x4	7"	2"-HEM	4"	2 1/4"	6 5/8"
7x5	7"	2"-HEM	5"	2"-HEM	6 1/8"
7x6	7"	2"-HEM	6"	2"-HEM	6"
8x3	8"	2"-HEM	3"	2 1/4"	8"
8x4	8"	2"-HEM	4"	2 1/4"	7"
8x5	8"	2"-HEM	5"	2"-HEM	6 1/2"
8x6	8"	2"-HEM	6"	2"-HEM	6"
8x7	8"	2"-HEM	7"	2"-HEM	6"
9x5	9"	2 1/4"	5"	2"-HEM	7 1/2"
9x6	9"	2 1/4"	6"	2"-HEM	7 1/4"
9x7	9"	2 1/4"	7"	2"-HEM	6 1/2"
9x8	9"	2 1/4"	8"	2"-HEM	6 1/2"
10x4	10"	2 1/4"	4"	2 1/4"	9 1/2"
10x5	10"	2 1/4"	5"	2"-HEM	8 3/8"
10x6	10"	2 1/4"	6"	2"-HEM	7 1/2"
10x7	10"	2 1/4"	7"	2"-HEM	7 1/4"
10x8	10"	2 1/4"	8"	2"-HEM	6 1/2"
12x4	12"	2 1/4"	4"	2 1/4"	11 1/8"
12x6	12"	2 1/4"	6"	2"-HEM	9 1/4"
12x7	12"	2 1/4"	7"	2"-HEM	8 3/8"
12x8	12"	2 1/4"	8"	2"-HEM	7 1/2"
14x6	14"	2 1/4"	6"	2"-HEM	10 7/8"
14x8	14"	2 1/4"	8"	2"-HEM	9 1/4"



**MATERIAL SPECIFICATIONS**

HOT DIPPED GALVANIZED STEEL.  
 PER ASTM A 653 CSB.  
 STANDARD GAUGE CONSTRUCTION  
 ASSEMBLED WITH 1/8" ZINC COATED RIVETS.

**OPTIONS**

5x4, 7x6, 8x6, & 8x7 available in 24ga Black  
 Heavier gauges available

JOB: \_\_\_\_\_  
 LOCATION: \_\_\_\_\_  
 CONTRACTOR: \_\_\_\_\_  
 ENGINEER: \_\_\_\_\_  
 NOTES: \_\_\_\_\_