



325 COMMERCE DRIVE
 MT VERNON, OH 43050
 800-253-8236

**SPECIFICATION
 DATA SHEET**

DATE: 7-28-11
 PREPARED BY: RL

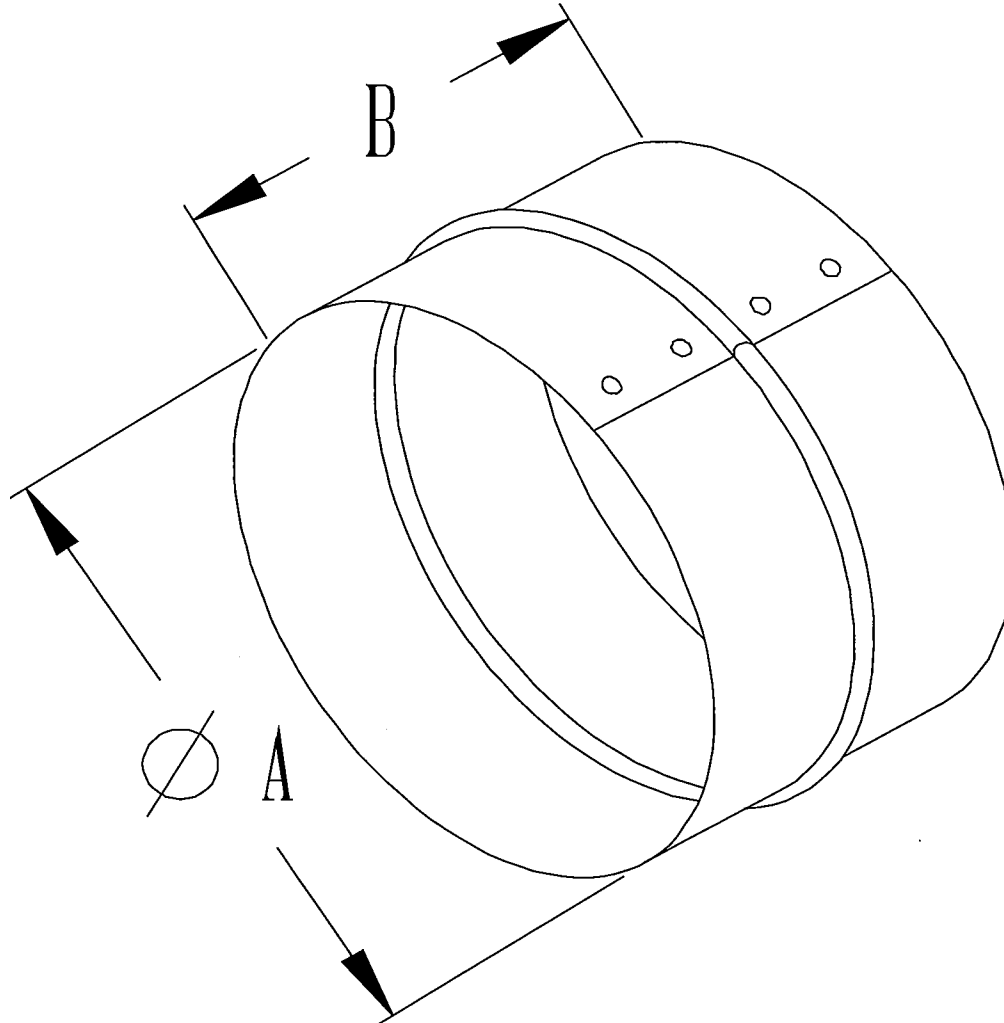
MODEL NO. 8993

Spiral Coupling

STANDARD MODEL

DIMENSIONS

SIZE	A	B	SIZE	A	B
3	3"	4 5/8	16	16"	4 5/8
4	4"	4 5/8	18	18"	4 5/8
5	5"	4 5/8	20	20"	4 5/8
6	6"	4 5/8	22	22"	4 5/8
7	7"	4 5/8	24	24"	4 5/8
8	8"	4 5/8	26	26"	4 5/8
9	9"	4 5/8	28	28"	4 5/8
10	10"	4 5/8	30	30"	4 5/8
12	12"	4 5/8	32	32"	4 5/8
14	14"	4 5/8			



MATERIAL SPECIFICATIONS

HOT DIPPED GALVANIZED STEEL.
 PER ASTM A 653 CSB.

3"-16" = 26 or 24 GAUGE

18" AND UP = 24 GAUGE

OTHER GAUGES AVAILABLE.

CONSULT SMACNA DUCT CONSTRUCTION
 MANUAL FOR CORRECT GAUGE FOR YOUR
 APPLICATION.

ASSEMBLED WITH 1/8" ZINC COATED RIVETS.

OPTIONS

JOB: _____
 LOCATION: _____
 CONTRACTOR: _____
 ENGINEER: _____
 NOTES: _____