



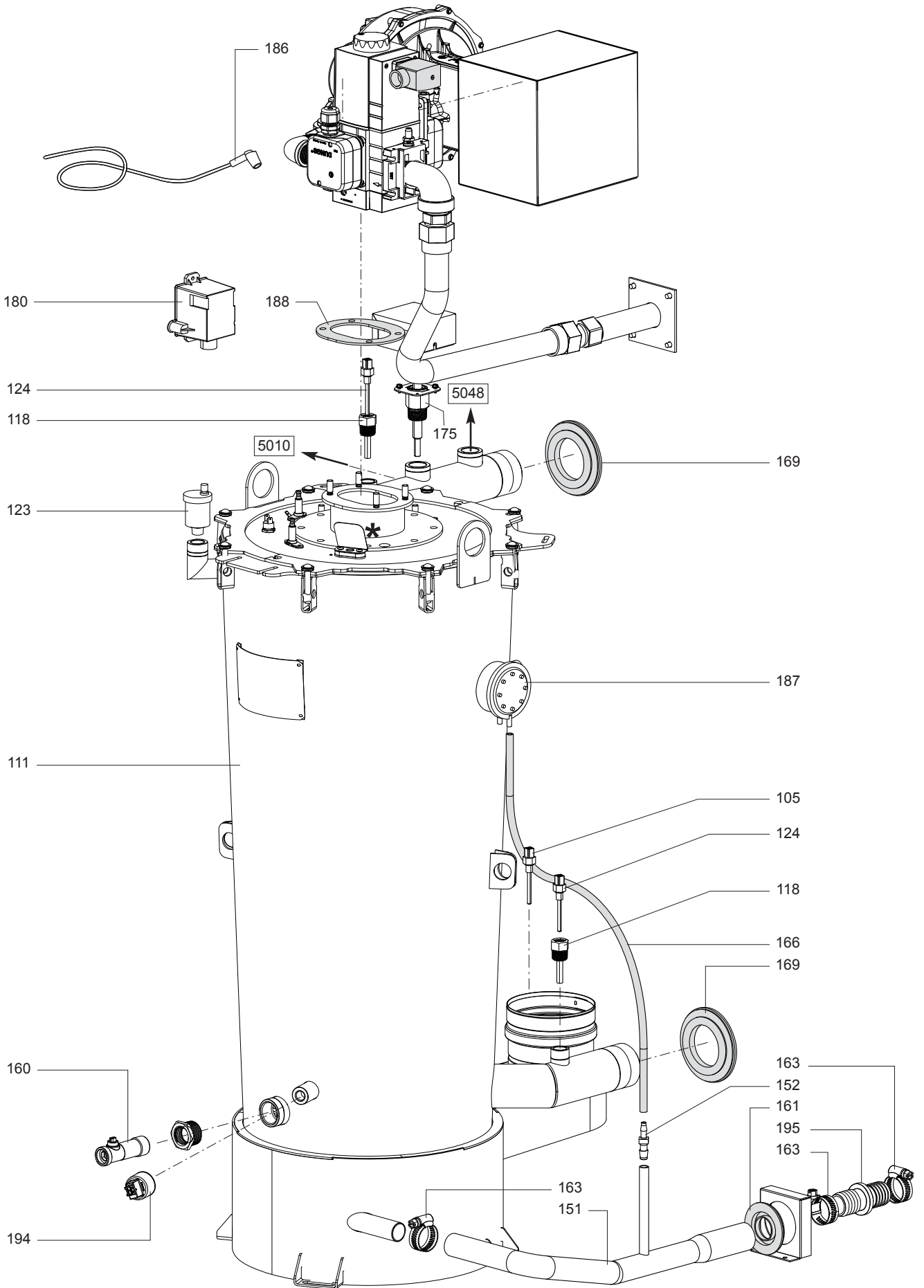
SPARE PARTS EXPLODED VIEW
GAS-STANDING CONDENSING BOILER
Model
TFTN 500-850.

R8219101-01 - 28/06/2023

TFTN500-850

Gas-standing condensing boiler

1	3260165	TFTN500.	07-2023	-
2	3260166	TFTN600.	07-2023	-
3	3260167	TFTN725.	07-2023	-
4	3260168	TFTN850.	07-2023	-
Col	Reference	Model type	Begin	End

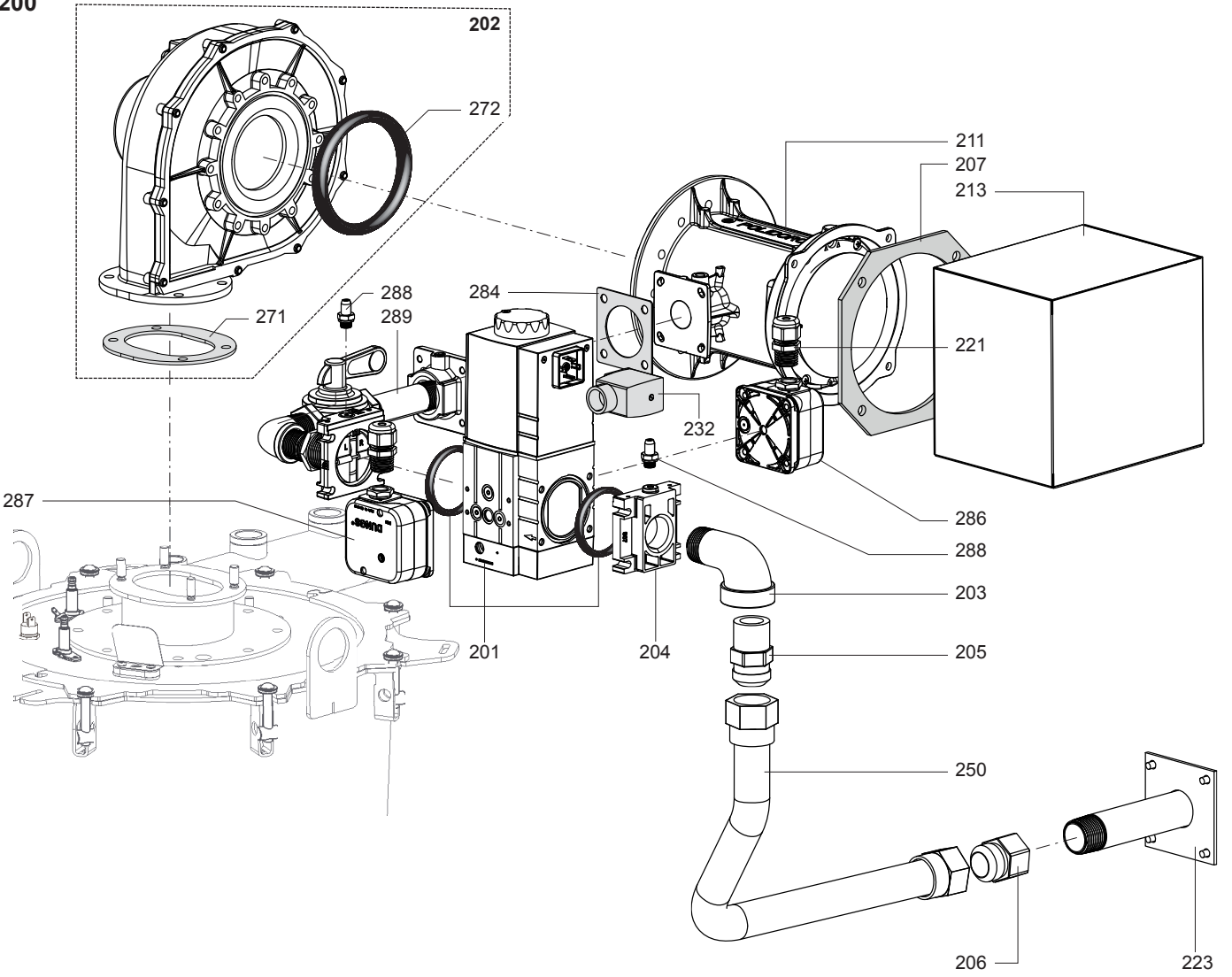


☉⇒	Description	Manf. Pt. N	Type	<div style="display: flex; justify-content: space-between; align-items: center;"> <div style="transform: rotate(-45deg); font-size: small;"> TFTN500. TFTN600. TFTN725. TFTN850. </div> <div style="border: 1px solid black; padding: 2px;"> 31 </div> </div>																		From	to
				1	2	3	4	5	6	7	8	9	10	11	12	13	14	15	16	17	18		
0100	EXCHANGER																						
0105	NTC FLUE SENSOR 4X45 1/4 10K3 SS	64980174		●	●	●	●																
0111	HEAT EXCHANGER ASSEMBLY	64980802				●																	
	HEAT EXCHANGER ASSEMBLY	64980805					●																
	HEAT EXCHANGER ASSEMBLY	64980828		●	●																		
0118	SENSOR THERMOWELL, FULL SS AISI 316L	6000085314		●	●	●	●																
0123	AUTO AIR VENT, 1/2" NPT	64980459		●	●	●	●																
0124	SENSOR DUPLEX 2X10KOHM NTC ¼"BSP	6008531501		●	●	●	●																
0151	CONDENSATE TUBE	64980766		●	●	●	●																
0152	CONNECTOR TUBING 3/8 in x 1/4 in	64980244		●	●	●	●																
0160	DRAIN VALVE	64980748		●	●	●	●																
0161	GROMMET	64980635		●	●	●	●																
0163	HOSE CLAMP 11-16-1 1-2	6000083718		●	●	●	●																
0166	APS TUBE	64980643		●	●	●																	
0169	GROMMET	64980764		●	●																		
	GROMMET	64980803					●	●															
0175	LWCO KIT, FTG	6008636201		●	●	●	●																
0180	SPARK GENERATOR	64980469		●	●	●	●																
0186	CABLE (IGNITION ELECTRODE)	64980470		●	●	●	●																
0187	AIR PRESSURE SWITCH	65118678		●	●	●	●																
0188	GASKET (FAN)	6000085329						●															
	GASKET (FAN)	64980746		●	●	●																	
0194	WATER PRESSURE SENSOR	64980500		●	●	●	●																
0195	BARB FITTING	64980767		●	●	●	●																

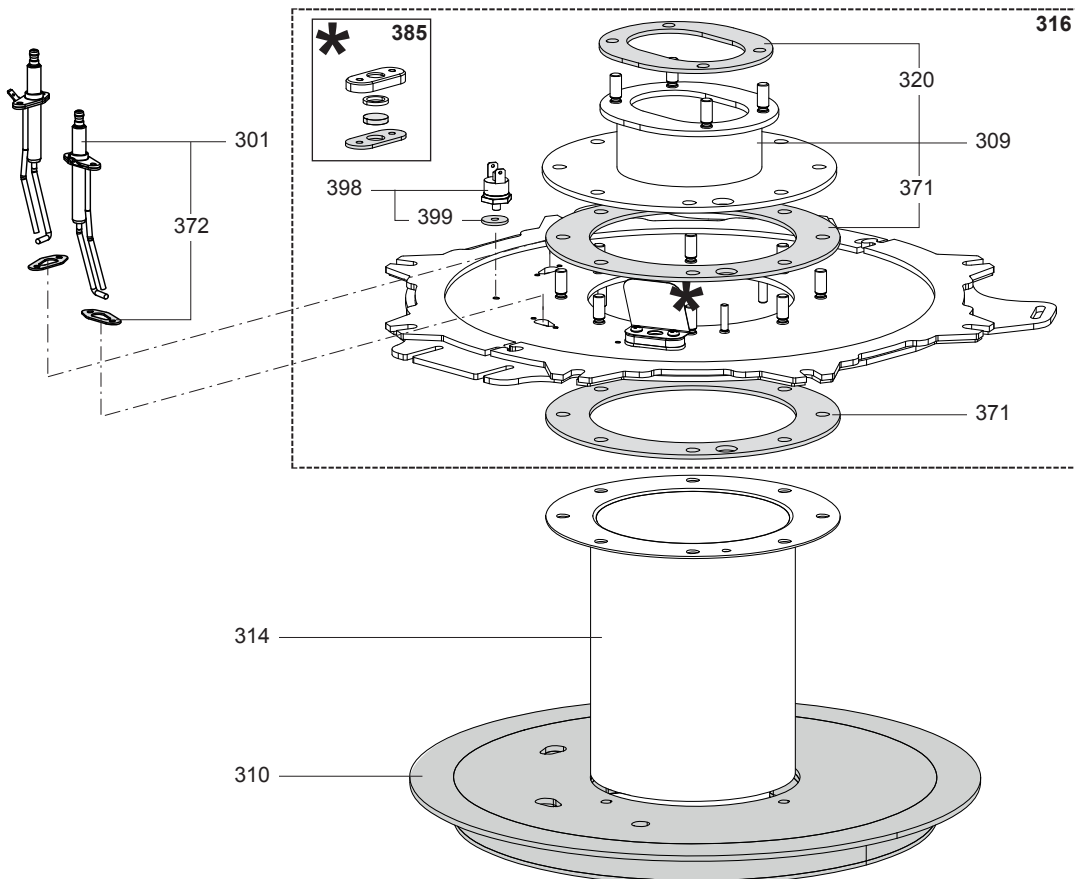
TFTN500-850

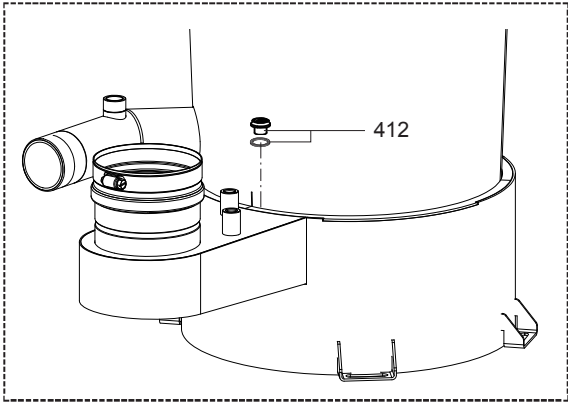
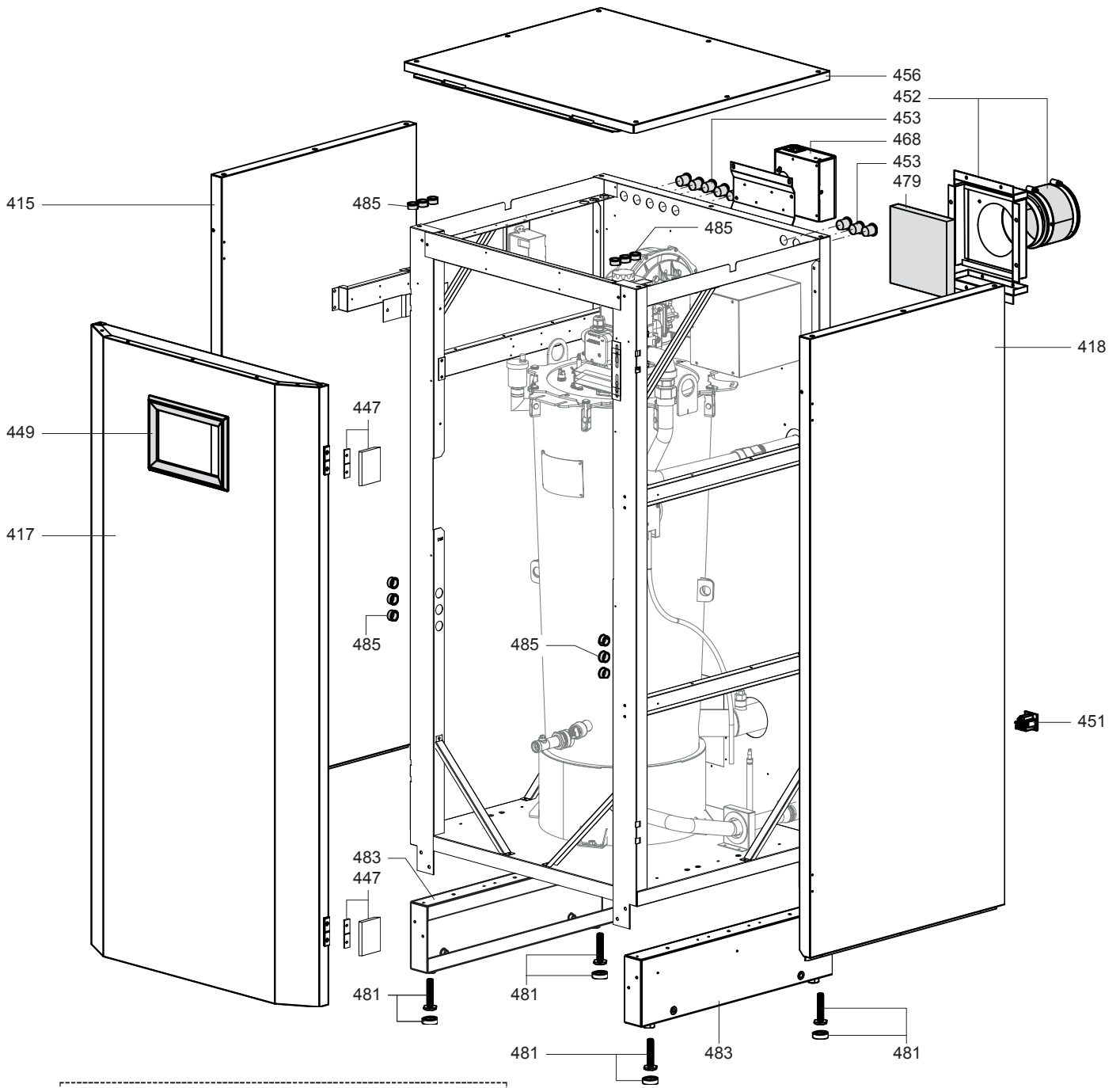
Gas-standing condensing boiler

200



300

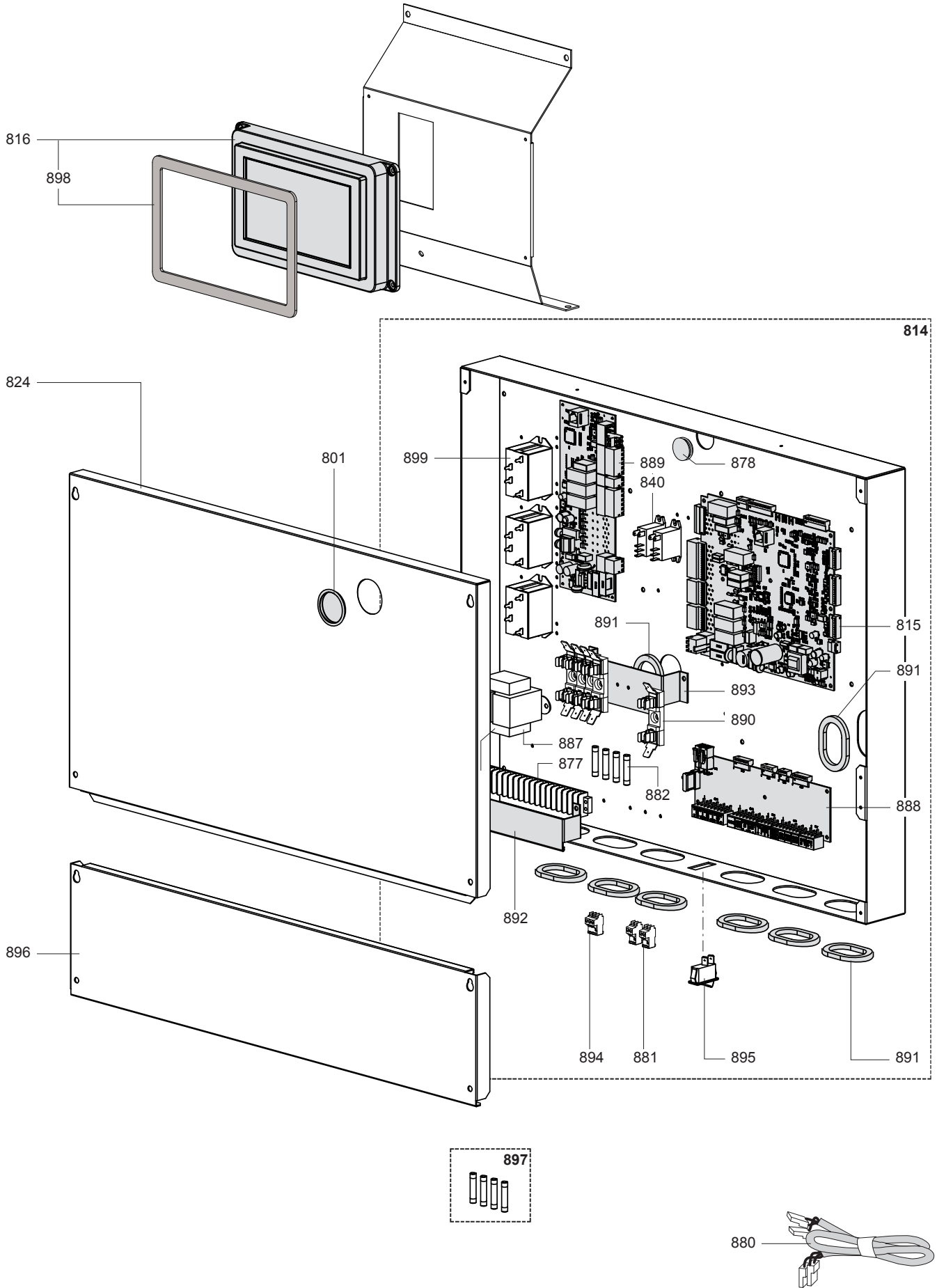




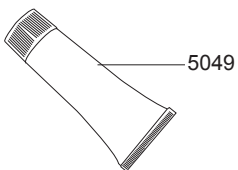
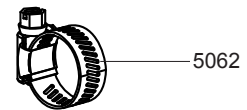
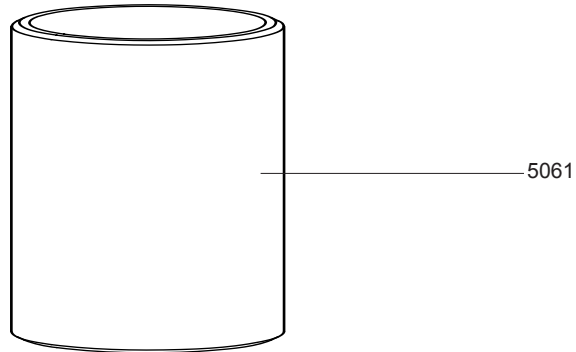
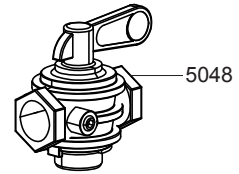
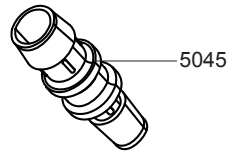
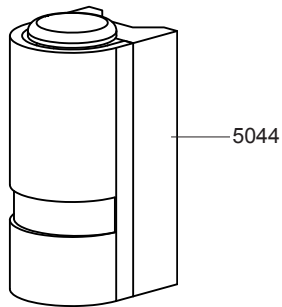
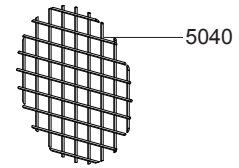
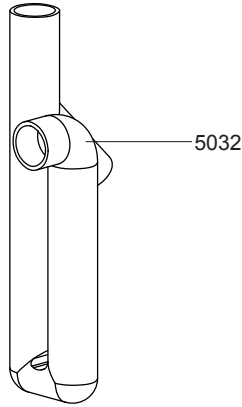
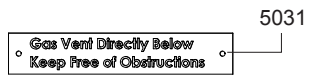
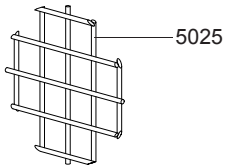
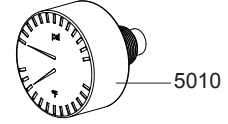
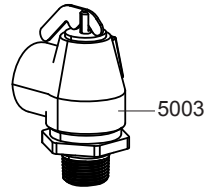
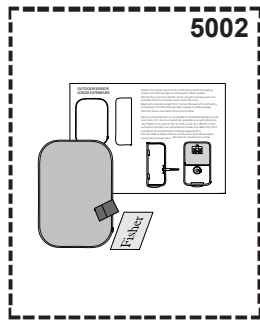
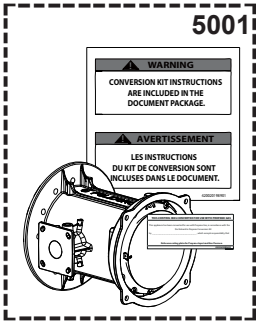
☺	Description	Manf. Pt. N	Type	TFTN500, TFTN600, TFTN725, TFTN850.																		From	to					
				1	2	3	4	5	6	7	8	9	10	11	12	13	14	15	16	17	18							
0400	FRONT CASE																											
0412	FLUE TEST PORT	64980753		●	●	●	●																					
0415	PANEL, LEFT SIDE	64980778		●	●	●	●																					
0417	CASE PANEL (FRONT)	64980762		●	●	●	●																					
0418	PANEL, RIGHT SIDE	64980777		●	●	●	●																					
0447	DOOR LATCH	6000087500		●	●	●	●																					
0449	HMI BEZEL	64980505		●	●	●	●																					
0451	RECEPTACLE, 120VAC	6000084423		●	●	●	●																					
0452	AIR INLET ASSEMBLY	64980775		●	●	●	●																					
0453	PLUG, 7/8 in BLACK DOME	6000084095		●	●	●	●																					
0456	TOP PANEL	64980776		●	●	●	●																					
0468	LWCO KIT, FTG	6008636201		●	●	●	●																					
0479	AIR FILTER	64980751		●	●	●	●																					
0481	LEG LEVELER	6000085355		●	●	●	●																					
0483	LEG	64980786		●	●	●	●																					
0485	GROMMET	64980761		●	●	●	●																					

TFTN500-850

Gas-standing condensing boiler



☉➔	Description	Manf. Pt. N	Type																				
				1	2	3	4	5	6	7	8	9	10	11	12	13	14	15	16	17	18	From	to
0800	ELECTRICAL BOX																						
0801	PLUG, TFTN CONTROL PANEL COVER	64980504		•	•	•	•																
0814	CONTROL PANEL (WITH HARNESS AND PCBS)	64980769		•	•	•	•																
0815	MAIN PCB, ACP CONTROLLER ACP	64980825		•	•	•	•																
0816	HMI, TFTN TOUCHSCREEN 7 in	64980468		•	•	•	•																
0824	COVER, CONTROL PANEL	64980770		•	•	•	•																
0840	RELAY, GAS VALVE	64980791		•	•	•	•																
0877	BARRIER, HIGH VOLT FIELD CONNECTION	64980536		•	•	•	•																
0878	GROMMET 1 in	64980267		•	•	•	•																
0880	WIRING, AUX1 PUMP	64980725		•	•	•	•																
	WIRING, AUX2 PUMP	64980726		•	•	•	•																
	WIRING, AUX2 PUMP/TRANSFOR.	64980727		•	•	•	•																
	WIRING, BLWR/VAR PUMP CTRL	64980728		•	•	•	•																
	WIRING, DHW PUMP	64980729		•	•	•	•																
	WIRING, FLAME SENSOR	64980731		•	•	•	•																
	WIRING, GAS VALVE	64980724		•	•	•	•																
	WIRING, GAS-IGNITER-LWCO	64980732		•	•	•	•																
	WIRING, GND	64980733		•	•	•	•																
	WIRING, HMI	64980734		•	•	•	•																
	WIRING, POWER SUPPLY	64980735		•	•	•	•																
	WIRING, TFTN085-199, EBUS, FIELD SENSORS	64980730		•	•	•	•																
	WIRING, WI-FI	64980736		•	•	•	•																
	WIRING, WPS, APS, TEMP/SW	64980737		•	•	•	•																
	WIRING, ZONE OUTPUTS	64980738		•	•	•	•																
	WIRING, ZONE SUPPLY	64980739		•	•	•	•																
0881	CONNECTOR 2P	65111933		•	•	•	•																
0882	FUSE, 2A, 32V, PLUG STYLE	64980476		•	•	•	•																
	FUSE, 2A, ZONE CONTROLLER, C3Z	64980480		•	•	•	•																
	FUSE, 5A, ZONE PUMPS	64980478		•	•	•	•																
	FUSE, 6.3A, MAIN PCB, ACP	64980479		•	•	•	•																
0887	TRANSFORMER 24V, 40VA	64980471		•	•	•	•																
0888	PCB, LOW VOLTAGE CONNECTION	64980475		•	•	•	•																
0889	PCB, 3-ZONE CONTROLLER	64980499		•	•	•	•																
0890	FUSES HOLDER	64980477		•	•	•	•																
0891	WIRING GROMMET (45 mm)	64980526		•	•	•	•																
0892	COVER, HIGH VOLTAGE BARRIER	64980723		•	•	•	•																
0893	BRACKET, FUSE HOLDER	64980525		•	•	•	•																
0894	CONNECTOR 3P (x5)	65111934-01		•	•	•	•																
0895	ROCKER SWITCH 20A @125VAC, E- SWITCH	6000085970		•	•	•	•																
0896	COVER, FIELD WIRING	64980784		•	•	•	•																
0897	SPARE FUSE KIT (2 EACH)	64980527		•	•	•	•																
0898	GASKET, HMI TO FRONT COVER	64980503		•	•	•	•																
0899	RELAY, OMRON, ISOLATION 30A 120VAC	6000087558		•	•	•	•																



☉⇒	Description	Manf. Pt. N	Type																			
				1	2	3	4	5	6	7	8	9	10	11	12	13	14	15	16	17	18	From
5000	JIG PLATE & PIPE FITTING																					
5001	LP CONVERSION KIT	64980743		●	●																	
	LP CONVERSION KIT	64980801				●	●															
5002	OUTDOOR SENSOR	64980218		●	●	●	●															
5003	RELIEF VALVE3-4M X1FM,50 PSI	6000084088		●	●	●	●															
5010	TRIDICATOR 80PSI, 250F, TRX-FTX	6000086804		●	●	●	●															
5022	INSTALLATION KIT BOX, TFTN500-600	64980740		●	●																	
	INSTALLATION KIT BOX, TFTN500-600	64980798					●	●														
5025	ROUND MESH, VENT SCREEN (3.375 in)	64980212		●	●																	
	VENT SCREEN, 6.5 STAINLESS STEEL MESH	6000086234					●	●														
5031	GAS VENT DIRECTLY BELOW DECAL,	6000083008		●	●	●	●															
5032	CONDENSATE DRAIN TUBE	64980742		●	●	●	●															
5040	VENT SCREEN, 4.375 STAINLESS STEEL MESH	6000086233		●	●	●	●															
5044	SENSOR, SYSTEM PIPE SENSOR	6000084010		●	●	●	●															
5045	CONNECTOR TUBING	64980741		●	●	●	●															
5048	MANUAL SHUTOFF VALVE FTG1.2-1.4M	6000085312					●	●														
	MANUAL SHUTOFF VALVE LX600-800	6000084025		●	●																	
5049	THERMAL COMP.TASSERON 10PK (THXPAST)	6000085316		●	●	●	●															
5061	4" CPVC	64980744		●	●																	
	6" CPVC	64980800						●	●													
5062	HOSE CLAMP 11-16-1 1-2	6000083718		●	●	●	●															

TFTN500-850

Gas-standing condensing boiler

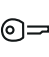





		EN		IT		FR		
		ES		DE		NL		
0105	64980174	NTC FLUE SENSOR 4X45 1/4 10K3 SS NTC SENSOR 4X45 1/4 10K3 SS		SENSORE NTC 4X45 1/4 10K3 SS NTC SENSOR 4X45 1/4 10K3 SS		CAPTEUR NTC 4X45 1/4 10K3 SS NTC SENSOR 4X45 1/4 10K3 SS		5
0111	64980802	HEAT EXCHANGER ASSEMBLY INTERCAMBIADOR DE CALOR		SCAMBIATORE WÄRMETAUSCHER		ÉCHANGEUR DE CHALEUR WARMTEWISSELAAR		1
	64980805	HEAT EXCHANGER ASSEMBLY INTERCAMBIADOR DE CALOR		SCAMBIATORE WÄRMETAUSCHER		ÉCHANGEUR DE CHALEUR WARMTEWISSELAAR		1
	64980828	HEAT EXCHANGER ASSEMBLY INTERCAMBIADOR DE CALOR		SCAMBIATORE WÄRMETAUSCHER		ÉCHANGEUR DE CHALEUR WARMTEWISSELAAR		1
0118	6000085314	SENS.THERMOWELL, FULL SS AISI 316L SENS.THERMOWELL, FULL SS AISI 316L		SENS.THERMOWELL, FULL SS AISI 316L SENS.THERMOWELL, FULL SS AISI 316L		SENS.THERMOWELL, FULL SS AISI 316L SENS.THERMOWELL, FULL SS AISI 316L		0
0123	64980459	AUTO AIR VENT, 1/2" NPT VÁLV.VENTIL.DE AIRE AUTOM.1/2 in NPT		VALVOLA SFIATO ARIA 1/2 in NPT ENTLÜFTUNGSVENTIL 1/2 in NPT		SOUPAPE DE VENTILATION 1/2 in NPT VENTILATORKLEP 1/2 in NPT		0
0124	6008531501	SENSOR DUPLEX 2X10KOHM NTC ¼"BSP SENSOR DUPLEX 2X10KOHM NTC ¼"BSP		SENSOR DUPLEX 2X10KOHM NTC ¼"BSP SENSOR DUPLEX 2X10KOHM NTC ¼"BSP		SENSOR DUPLEX 2X10KOHM NTC ¼"BSP SENSOR DUPLEX 2X10KOHM NTC ¼"BSP		0
0151	64980766	CONDENSATE TUBE TUBO DE CONDENSADO		TUBO CONDENSA KONDENSATROHR		TUBE CONDENSAT CONDENSBUIS		1
0152	64980244	CONNECTOR TUBING 3/8 in x 1/4 in CONECTOR TUBERÍA 3/8 in x 1/4 in		CONNETTORE TUBI 3/8 in x 1/4 in ANSCHLUSSROHR 3/8 in x 1/4 in		TUBE DE CONNECTEUR 3/8 in x 1/4 in CONNECTORBUIS 3/8 in x 1/4 in		0
0160	64980748	DRAIN VALVE VÁLVULA DE DRENAJE		VALVOLA DI SCARICO ABFLUSSVENTIL		VANNE DE VIDANGE AFVOERKLEP		1
0161	64980635	GROMMET OJAL		GOMMINO TÜLLE		PASSE-FIL DOORVOER		1
0163	6000083718	HOSE CLAMP 11-16-1 1-2 HOSE CLAMP 11-16-1 1-2		HOSE CLAMP 11-16-1 1-2 HOSE CLAMP 11-16-1 1-2		HOSE CLAMP 11-16-1 1-2 HOSE CLAMP 11-16-1 1-2		0
0166	64980643	APS TUBE TUBO APS		TUBO APS APS-ROHR		TUBE APS APS BUIS		1
0169	64980764	GROMMET OJAL		GOMMINO TÜLLE		PASSE-FIL DOORVOER		1
	64980803	GROMMET OJAL		GOMMINO TÜLLE		PASSE-FIL DOORVOER		1
0175	6008636201	LWCO KIT, FTG LWCO KIT, FTG		LWCO KIT, FTG LWCO KIT, FTG		LWCO KIT, FTG LWCO KIT, FTG		0
0180	64980469	SPARK GENERATOR TRANSFORMADOR DE ENCENDIDO		ACCENDITORE ZÜNDTRAFO		TRANSFORMATEUR D'ALLUMAGE ONTSTEKING TRANSFORMATOR		1
0186	64980470	CABLE (IGNITION ELECTRODE) CABLE (ELECTRODO DE ENCENDIDO)		CAVO ELETTRODO ACC. KABEL (ZÜNDELEKTRODE)		CÂBLE (ÉLECTRODE D'ALLUMAGE) KABEL (ONTSTEKINGSELEKTRODE)		5
0187	65118678	AIR PRESSURE SWITCH PRESOSTATO AIRE		PRESSOSTATO ARIA LUFTWAZHTER		PRESSOSTAT AIR DRUKSCHAKELAAR LUCHT		1
0188	6000085329	GASKET (FAN) JUNTA VENTILADOR		GUARNIZIONE VENTILATORE DICHTUNG, GEBLASE		JOINT VENTILATEUR DICHTING VENTILATOR		0
	64980746	GASKET (FAN) JUNTA VENTILADOR		GUARNIZIONE VENTILATORE DICHTUNG, GEBLASE		JOINT VENTILATEUR DICHTING VENTILATOR		1
0194	64980500	WATER PRESSURE SENSOR SENSOR DE PRESIÓN DE AGUA		SENSORE PRESSIONE ACQUA WASSERDRUCKSENSOR		CAPTEUR DE PRESSION D'EAU WATERDRUCKSENSOR		5
0195	64980767	BARB FITTING AJUSTE DE PUNTA		RACCORDO A BARBA BARB-ANSCHLUSS		RACCORD CANNELÉ BARB MONTAGE		1
0201	64980752	GAS VALVE VÁLVULA DE GAS		VALVOLA GAS GASVENTIL		VANNE GAZ GASKLEP		1
0202	64980749	FAN VENTILADOR		VENTILATORE VENTILATOR		VENTILATEUR VENTIEL		1
	64980804	FAN VENTILADOR		VENTILATORE VENTILATOR		VENTILATEUR VENTIEL		1
0203	64980754	ELBOW (GAS SUPPLY LINE) CODO (LÍNEA DE SUMIN.DE GAS)		GOMITO (LINEA ALIMENTAZIONE GAS) ELLENBOGEN (GASVERSORGUNGSLEIT.)		COUDE (LIGNE D'ALIMENTATION EN GAZ) ELLEBOOG (GASLOEVOERLEIDING)		1
	64980826	ELBOW (GAS SUPPLY LINE) CODO (LÍNEA DE SUMINISTRO DE GAS)		GOMITO (LINEA ALIMENTAZIONE GAS) ELLENBOGEN (GASVERSORGUNGSLEIT.)		COUDE (LIGNE D'ALIMENTATION EN GAZ) ELLEBOOG (GASLOEVOERLEIDING)		1
0204	64980755	FLANGE (GAS VALVE INLET) PLETINA VALVULA DE GAS		FLANGIA VALVOLA GAS GASVENTILFLANSCH		BRIDE VALVE GAZ FLENS GASKLEP 3/4"		1
	64980796	FLANGE (GAS VALVE INLET) PLETINA VALVULA DE GAS		FLANGIA VALVOLA GAS GASVENTILFLANSCH		BRIDE VALVE GAZ FLENS GASKLEP 3/4"		1
0205	64980757	MNPT X FLARE ADAPT.(GAS SUPPLY LINE) ADAPTADOR MNTP		ADATTATORE MNPT ADAPTER MNTP		ADAPTATEUR MNTP ADAPTOR MNTP		1
	64980799	MNPT X FLARE ADAPT.(GAS SUPPLY LINE) ADAPTADOR MNTP		ADATTATORE MNPT ADAPTER MNTP		ADAPTATEUR MNTP ADAPTOR MNTP		1
0206	64980758	FNPT X FLARE ADAPT.(GAS SUPPLY LINE) ADAPTADOR FNTP		ADATTATORE FNTP ADAPTER FNTP		ADAPTATEUR FNTP ADAPTOR FNTP		1
	64980797	FNPT X FLARE ADAPT.(GAS SUPPLY LINE) ADAPTADOR FNTP		ADATTATORE FNTP ADAPTER FNTP		ADAPTATEUR FNTP ADAPTOR FNTP		1
0207	64980768	GASKET (SILENCER-VENTURI) JUNTA (SILENCIADOR-VENTURI)		GUARNIZIONE SILENZIATORE-MIXER D.TUNG (SCHALLDÄMPFER-VENTURI)		JOINT (SILENCIEUX-VENTURI) PAKKING (DEMPER-VENTURI)		1
0211	64980743	LP CONVERSION KIT KIT DE CONVERSIÓN LP		TRASFORMAZIONE GAS GPL LP-UMBAU-KIT		KIT DE CONVERSION GPL LP CONVERSIE KIT		1

		EN	IT	FR	
		ES	DE	NL	
	64980750	VENTURI NG VENTURI GN	VENTURI MET. VENTURI NG	VENTURI GN VENTURI NG	1
	64980795	VENTURI NG VENTURI GN	VENTURI MET. VENTURI NG	VENTURI GN VENTURI NG	1
	64980801	LP CONVERSION KIT KIT DE CONVERSIÓN LP	TRASFORMAZIONE GAS GPL LP-UMBAU-KIT	KIT DE CONVERSION GPL LP CONVERSIE KIT	1
0213	64980763	SILENCER ASSEMBLY SILENCIADOR	SILENZIATORE SCHALLDAMPFER	SILENCIEUX DEMPEUR	1
0221	64980822	CONDUIT CONNECTOR CONECTOR DE CONDUCTO	CONNETTORE CAVO LEITUNGSANSCHLUSS	RACCORD DE CONDUITE LEIDING CONNECTOR	1
0223	64980760	GAS INLET ADAPTER ADAPTADOR DE ENTRADA DE GAS	ADATTATORE INGRESSO GAS GASEINLASSADAPTER	ADAPTATEUR D'ENTRÉE DE GAZ GASINLAAT ADAPTER	1
	64980823	GAS INLET ADAPTER ADAPTADOR DE ENTRADA DE GAS	ADATTATORE INGRESSO GAS GASEINLASSADAPTER	ADAPTATEUR D'ENTRÉE DE GAZ GASINLAAT ADAPTER	1
0232	64980821	CABLE SOCKET TOMA DE CABLES	PRESA CAVO KABELBUCHSE	PRISE DE CABLE KABELAANSLUITING	1
0250	64980756	FLEX PIPE (GAS SUPPLY LINE) TUBO FLEX.(LÍNEA DE SUMIN.DE GAS)	TUBO FLESSIBILE (ALIMENTAZIONE GAS) FLEXROHR (GASVERSORGUNGSLEIT.)	TUYAU FLEXIBLE (LIGNE D'ALIM. EN GAZ) FLEX LEIDING (GAS TOEVOERLEID.)	1
	64980794	FLEX PIPE (GAS SUPPLY LINE) TUBO FLEX.(LÍNEA DE SUMIN.DE GAS)	TUBO FLESSIBILE (ALIMENTAZIONE GAS) FLEXROHR (GASVERSORGUNGSLEIT.)	TUYAU FLEX.(LIGNE D'ALIMENT. EN GAZ) FLEX LEID.(GAS TOEVOERLEIDING)	1
0271	6000085329	GASKET (FAN) JUNTA VENTILADOR	GUARNIZIONE VENTILATORE DICHTUNG, GEBLASE	JOINT VENTILATEUR DICHTING VENTILATOR	0
	64980746	GASKET (FAN) JUNTA VENTILADOR	GUARNIZIONE VENTILATORE DICHTUNG, GEBLASE	JOINT VENTILATEUR DICHTING VENTILATOR	1
0272	6000084084	O-RING (BLOWER INLET) JUNTA TÓR.(ENTRADA DEL VENTIL.)	O-RING INGRESSO VENTILATORE DICHT.O-RING (GEBLASE EINLASS)	JOINT TORIQUE (ENTRÉE DU VENTILAT.) O-RING (VENTILATORINLAAT)	0
0284	6000084087	GASKET, GAS INLET FLANGE GASKET, GAS INLET FLANGE	GASKET, GAS INLET FLANGE GASKET, GAS INLET FLANGE	GASKET, GAS INLET FLANGE GASKET, GAS INLET FLANGE	0
0286	6000085672	HIGH GAS PRESS SW (266924) HIGH GAS PRESS SW (266924)	HIGH GAS PRESS SW (266924) HIGH GAS PRESS SW (266924)	HIGH GAS PRESS SW (266924) HIGH GAS PRESS SW (266924)	0
0287	64980745	GPS (LOW) PRESOSTATO DE BAJA GAS	PRESSOSTATO GAS (MINIMA) NIEDRIGER GASDRUCKSCHALTER	PRESSOSTAT BASSE GAZ LAGE GASDRUKSCHAKELAAR	1
0288	64980781	BLEED SCREW (GAS VALVE FLANGE) TORNIL.DE PURGA (BRIDA VÁLV.GAS)	VITE DI TENUTA (FLANGIA VALV.GAS) ENTLÜFTUNGSSCHR.(GASVENTILFLAN.)	VIS DE PURGE (BRIDE DE SOUP.DE GAZ) ONTLUCHTINGSSCHR.(GASKLEPFL.)	1
0289	64980759	GAS LINE ASSEMBLY (GAS VALVE-MIXER) LÍNEA DE GAS (VÁLV.DE GAS-MEZCL.)	LINEA GAS (VALV.GAS-MIXER) GASLEITUNGSBAUGR.(GASVENT.-MISCH.)	LIGNE DE GAZ (VANNE GAZ-MÉLANGEUR) GASLEID.MONTAGE (GASKLEP-MIXER)	1
	64980792	GAS LINE ASSEMBLY (GAS VALVE-MIXER) LÍNEA DE GAS (VÁLV.DE GAS-MEZCL.)	LINEA GAS (VALV.GAS-MIXER) GASLEITUNGSBAUGR.(GASVENT.-MISCH.)	LIGNE DE GAZ (VANNE GAZ-MÉLANGEUR) GASLEID.MONTAGE (GASKLEP-MIXER)	1
0301	64980747	ELECTRODE (IGNITION) ELECTRODO DE ENCENDIDO	ELETTRODO ACCENSIONE ZÜNDELEKTRODE	ÉLECTRODE D'ALLUMAGE ONTSTEKING ELEKTRODE	5
0309	64980789	FAN PLATE PLACA VENTILADOR	PIASTRA VENTILATORE LÜFTERPLATTE	PLAQUE DU VENTILATEUR VENTILATOR PLAAT	1
	64980808	FAN PLATE PLACA VENTILADOR	PIASTRA VENTILATORE LÜFTERPLATTE	PLAQUE DU VENTILATEUR VENTILATOR PLAAT	1
	64980810	FAN PLATE PLACA VENTILADOR	PIASTRA VENTILATORE LÜFTERPLATTE	PLAQUE DU VENTILATEUR VENTILATOR PLAAT	1
0310	64980785	INSULATION (BURNER TOP PLATE) AISLAM.PLACA SUPERIOR DEL QUEM.	ISOLAMENTO PIASTRA BRUCIATORE ISOLIER.(DECKELPLAT.DES BREN.)	ISOLATION (PLAQUE SUPÉR.DU BRÛLEUR) ISOLATIE (BOVENPLAAT BRANDER)	1
	64980809	INSULATION (BURNER TOP PLATE) AISLAMIENTO PLACA SUP.DEL QUEM.	ISOLAMENTO PIASTRA BRUCIATORE ISOLIERUNG (DECKELPLAT.DES BREN.)	ISOLATION (PLAQUE SUPÉR.DU BRÛLEUR) ISOLATIE (BOVENPLAAT BRANDER)	1
0314	6000087362	BURNER QUEMADOR	BRUCIATORE BRENNER	BRULEUR BRANDER	0
	64980793	BURNER QUEMADOR	BRUCIATORE BRENNER	BRÛLEUR BRANDER	1
0316	64980783	BURNER TOP PLATE PLACA SUPERIOR QUEMADOR	PIASTRA SUPERIORE DEL BRUCIATORE BRANDER BOVENPLAAT	PLAQUE SUPÉRIEURE DU BRÛLEUR BRANDER BOVENPLAAT	1
	64980806	BURNER TOP PLATE PLACA SUPERIOR QUEMADOR	PIASTRA SUPERIORE DEL BRUCIATORE BRANDER BOVENPLAAT	PLAQUE SUPÉRIEURE DU BRÛLEUR BRANDER BOVENPLAAT	1
0320	6000085329	GASKET (FAN) JUNTA VENTILADOR	GUARNIZIONE VENTILATORE DICHTUNG, GEBLASE	JOINT VENTILATEUR DICHTING VENTILATOR	0
	64980746	GASKET (FAN) JUNTA VENTILADOR	GUARNIZIONE VENTILATORE DICHTUNG, GEBLASE	JOINT VENTILATEUR DICHTING VENTILATOR	1
0371	6000087534	GASKET (BURNER) JUNTA QUEMADOR	GUARNIZIONE BRUCIATORE DICHTUNG, BRENNER	JOINT BRULEUR DICHTING BRANDER	1
0372	64980223	GASKET (ELECTRODE) JUNTA ELECTRODO	GUARNIZIONE ELETTRODO DICHTUNG ELEKTRODE	JOINT ELECTRODE PAKKING ELECTRODE	0
0385	6000085641	SIGHT GLASS ASSMBLY CRISTAL LUZ TESTIGO	VETRO SPIA COMPLETO SCHLAUGLAS	VITRE VISEUR DE FLAMME KIJKGLAS	0
0398	64980506	THERMAL SWITCH, TOP PLATE INTERRUPT.TÉRMICO, PLACA SUPER.	INTERRUPTORE TERMICO (PIASTRA BR.) THERMOSCHALTER, OBERPLATTE	INTERRUPTEUR THERM., PLAQUE SUPÉR. THERMISC.SCHAKEL., BOVENPLAAT	5
0399	64980507	GASKET, THERMAL SWITCH TOP PLATE JUNTA, INTERRUPTOR TÉRMICO	GUARNIZ., INTER.TERMICO (PIASTRA BR.) D.TUNG, THERMISCHER SCHALTER	JOINT D'INTERRUPTEUR THERMIQUE PAKKING, THERMISCHE SCHAKELAAR	5

		EN		IT		FR		X
		ES		DE		NL		
0412	64980753	FLUE TEST PORT PUERTO DE PRUEBA DE HUMOS		TAPPO PRESA FUMI KAMIN-TESTANSCHLUSS		PORT D'ESSAI DE FUMEE ROOKKANAAL TESTPOORT		1
0415	64980778	PANEL, LEFT SIDE PANEL LATERAL IZQUIERDO		PANNELLO LATERALE SX LINKE SEITENWAND		PANNEAU LATÉRAL GAUCHE LINKER ZIJPANEEL		1
0417	64980762	CASE PANEL (FRONT) PANEL ANTERIOR		PANNELLO FRONTALE MANTEL, VORN		PANNEAU DE FAÇADE AVANT VOORPANEEL		1
0418	64980777	PANEL, RIGHT SIDE PANEL LATERAL DERECHO		PANNELLO LATERALE DX RECHTE SEITENABDECKUNG		PANNEAU CÔTÉ DROIT RECHTER ZIJPANEEL		1
0447	6000087500	DOOR LATCH PESTILLO DE LA PUERTA		CHIUSURA PORTA TÜRRIEGEL		LOQUET DE PORTE DEURSLUITING		0
0449	64980505	HMI BEZEL HMI BEZEL		DISPLAY BEZEL HMI BEZEL		HMI BEZEL HMI BEZEL		0
0451	6000084423	RECEPTACLE, 120VAC RECEPTÁCULO, 120 VCA		RECEPTACLE, 120VAC STECKDOSE, 120VAC		PRISE, 120 VCA RECEPTANG, 120VAC		0
0452	64980775	AIR INLET ASSEMBLY CODO, LATÓN, CALLE 90, 3/4 in		FILTRO INGRESSO ARIA WINKEL, MESSING, STREET 90, 3/4 Zoll		COUDE, LAITON, RUE 90, 3/4 in ELLEBOOG, MESSING, STRAAT 90, 3/4 in		1
0453	6000084095	PLUG, 7/8 in BLACK DOME TAPÓN, CÚPULA NEGRA DE 7/8 in		TAPPO, CUPOLA NERA 7/8 in STECKER, 7/8 in SCHWARZER DOM		PLUG, 7/8 in BLACK DOME BOUCHON, DÔME NOIR 7/8 in		0
0456	64980776	TOP PANEL PANEL SUPERIOR		TOP OBERSEITE		PANNEAU DU HAUT BOVENSTE PANEEL		1
0468	6008636201	LWCO KIT, FTG LWCO KIT, FTG		LWCO KIT, FTG LWCO KIT, FTG		LWCO KIT, FTG LWCO KIT, FTG		0
0479	64980751	AIR FILTER FILTRO DE AIRE		FILTRO ARIA LUFTFILTER		FILTRE À AIR LUCHTFILTER		1
0481	6000085355	LEG LEVELER PATA		PIEDINO REGOLABILE FUß		PIEDS VOETJES		0
0483	64980786	LEG LEG		STAFFA APPOGGIO LEG		LEG LEG		1
0485	64980761	GROMMET JUNTA		GOMMINO GUMMI		PASSE-FIL DICHTING		1
0801	64980504	PLUG, TFTN CONTROL PANEL COVER TAPÓN, CUBIERTA DE PAN.DE CONTR.		GOMMINO COPERCHIO PANN.CONTR. STECKER, BEDIENFELDDABDECKUNG		BOUCHON, COUVER.DE PANN.DE COMM. PLUG, BEDIENINGSPAN.AFDEKKING		0
0814	64980769	CONTROL PANEL (WITH HARN.AND PCBS) PANEL DE CONTR.CON ARNÉS Y PCB		PANNELLO DI CONTROLLO BEDIENFELD (MIT KABELB.UND PCBS)		PANN.DE COMM.AVEC FAISC.ET CARTES BEDIENINGSPAN.MET KABELB.EN EL.KAARTE		1
0815	64980825	MAIN PCB, ACP CONTROLLER ACP CIRCUITO PRINCIPAL ACP		SCHEDA PRINCIPALE ACP ELEKTROHAUPTPLATINE ACP		CIRCUIT IMPRIME PRINCIPAL ACP PRINTKAART ACP		1
0816	64980468	HMI, TFTN TOUCHSCREEN 7 in HMI, TOUCHSCREEN 7 in		TOUCHSCREEN 7 in DISPLAY HMI, TOUCHSCREEN 7 in		HMI, TOUCHSCREEN 7 in HMI, TOUCHSCREEN 7 in		1
0824	64980770	COVER, CONTROL PANEL CUBIERTA, PANEL DE CONTROL		COPERCHIO PANNELLO DI CONTROLLO ABDECKUNG, BEDIENFELD		COUVERCLE, PANNEAU DE COMMANDE DEKSEL, BEDIENINGSPANEEL		1
0840	64980791	RELAY, GAS VALVE RELÉ, VÁLVULA DE GAS		RELÈ VALVOLA GAS RELAIS, GASVENTIL		RELAIS, SOUPEPE DE GAZ RELAIS, GASKLEP		1
0877	64980536	BARRIER, HIGH VOLT FIELD CONNECTION BLOQUE DE TERMIN.DE ALTA TENS.		MORSETTIERA ALTA TENSIONE HOCHSPANNUNGSKLEMMENBLOCK		BORNIER HAUTE TENSION HOOGSPANNING AANSLUITBLOK		1
0878	64980267	GROMMET 1 in OJAL 1 in		GOMMINO 1 in TÜLLE 1 in		OEILLET 1 in DOORVOERTULE 1 in		0
0880	64980724	WIRING, GAS VALVE CABLEADO, VÁLVULA DE GAS		CABLAGGIO VALVOLA GAS VERKABELUNG, GASVENTIL		CÂBLAGE, SOUPEPE À GAZ BEDRADING, GASKLEP		1
	64980725	WIRING, AUX1 PUMP CABLEADO, BOMBA AUX1		CABLAGGIO, POMPA AUX1 VERKABELUNG, AUX1-PUMPE		CÂBLAGE, POMPE AUX1 BEDRADING, AUX1 POMP		1
	64980726	WIRING, AUX2 PUMP CABLEADO, BOMBA AUX2		CABLAGGIO, POMPA AUX2 VERKABELUNG, AUX2-PUMPE		CÂBLAGE, POMPE AUX2 BEDRADING, AUX2 POMP		1
	64980727	WIRING, AUX2 PUMP/TRANSFOR. CABLE, TRANSF.BOMBA AUX.		CAVI SCHEDA-TRASFORM.-POMPA AUX2 KABEL, ZUSATZPUMPENTRANSF.VERSORG.		CÂBLE, ALIM.TRANSF.POMPE AUX. KABEL, AUX POMP TRANSF.VOED		1
	64980728	WIRING, BLWR/VAR PUMP CTRL CABLEADO, CONTROL BOMBA VAR		CABLAGGIO, CTRL POMPA VAR. VERKABELUNG, VAR PUMP CTRL		CÂBLAGE, COMM.DE POMPE VAR BEDRADING, VAR POMP CTRL		1
	64980729	WIRING, DHW PUMP CABLE BOMBA AGUA SANITARIA		CAVO POMPA ACQUA SANITARIA SANITÄRWASSERPUMPENKABEL		CÂBLE DE POMPE À EAU SANIT. SANITAIRE WATERPOMPKABEL		1
	64980730	WIRING, EBUS, FIELD SENSORS CABLE, EBUS, SENSORES CAMPO		CAVI, EBUS, SENSORI AMB. KABEL EBUS, FELDSENSOREN		CÂBLE EBUS, CAPTEURS CHAMP BEDRADING, EBUS, VELDSENSOR		1
	64980731	WIRING, FLAME SENSOR CABLEADO, SENSOR DE LLAMA		CABLAGGIO, SENSORE FIAMMA VERKABELUNG, FLAMMENSSENSOR		CÂBLAGE, CAPTEUR DE FLAMME BEDRADING, VLAM SENSOR		1
	64980732	WIRING, GAS-IGNITER-LWCO CABLE, GAS-ENCEND.-LWCO		CABLAGGIO GAS-ACCEND.-LWCO KABEL, GAS-ZÜNDER-LWCO		CÂBLE GAZ-ALLUMEUR-LWCO KABEL, GAS-ONTSTEKER-LWCO		1
	64980733	WIRING, GND CABLEADO, TIERRA		CABLAGGIO, TERRA VERKABELUNG, MASSE		CÂBLAGE, MISE À LA TERRE BEDRADING, AARD		1
	64980734	WIRING, HMI CABLE DE ALIMENT.DE LA CALDERA		CABLAGGIO, HMI KABEL (KESSEL-STROMVERSORG.)		CÂBLAGE, IHM KABEL (STROOMVOORZIENING)		1
	64980735	WIRING, POWER SUPPLY CABLE DE ALIMENTACIÓN,		CAVO ALIMENTAZIONE STROMKABEL		CÂBLE D'ALIMENTATION STROOMVOORZIENINGSKABEL		1
	64980736	WIRING, WI-FI CABLEADO, WI-FI		CAVO WI-FI VERKABELUNG, WI-FI		CÂBLAGE, WI-FI BEDRADING, WI-FI		1

		EN	IT	FR	
		ES	DE	NL	
	64980737	WIRING, WPS, APS, TEMP/SW CABLEADO, WPS, APS, TEMP/SW	CABLAGGIO, WPS, APS, TEMP/S VERKABELUNG, WPS, APS, TEMP	CÂBLAGE, WPS, APS, TEMP/SW BEDRADING, WPS, APS, TEMP/S	1
	64980738	WIRING, ZONE OUTPUTS CABLEADO, SALIDAS DE ZONA	CAVO ALIMENTAZIONE CALDAIA VERKABELUNG, ZONE-AUSGÄNGE	CÂBLAGE, SORTIES DE ZONE BEDRADING, ZONE-UITGANGEN	1
	64980739	WIRING, ZONE SUPPLY CABLE DE ALIMENT.DE LA CALDERA	CABLAGGIO ALIMENT.ZONE KABEL, ZONENVERSORGUNG	CÂBLAGE, ALIMENTAT.DE ZONE BEDRADING, ZONE VOEDING	1
0881	65111933	CONNECTOR 2P CONECTOR 2P	CONNETTORE 2 POLI STECKER 2 POL. RAST 5	CONNECTEUR 2 POLES STEKKER 2-POLIG	5
0882	64980476	FUSE, 2A, 32V, PLUG STYLE FUSIBLE, 2A, 32V, TIPO ENCHUFE	FUSIBILE, 2A, 32V, PLUG STYLE SICHERUNG, 2 A, 32 V, STECKERART	FUSIBLE, 2A, 32V, TYPE FICHE ZEKERING, 2A, 32V, STEKKER STIJL	0
	64980478	FUSE, 5A, ZONE PUMPS FUSIBLE, 5A, BOMBAS DE ZONA	FUSIBILE, 5A, POMPE DI ZONA SICHERUNG, 5A, ZONENPUMPEN	FUSIBLE, 5A, POMPES DE ZONE ZEKERING, 5A, ZONEPOMPEN	0
	64980479	FUSE, 6.3A, MAIN PCB, ACP FUSIBLE, 6.3A, PCB PRINCIPAL, ACP	FUSIBILE, 6.3A, SCHEDA PRINCIPALE SICHER., 6.3A, HAUPTPLATINE, ACP	FUSIBLE, 6.3A, CARTE PRINCIPALE, ACP ZEKERING, 6.3A, HOOFDPCB, ACP	0
	64980480	FUSE, 2A, ZONE CONTROLLER, C3Z FUSIBLE, 2A, CONTROL.DE ZONA, C3Z	FUSIBILE, 2A, SCHEDA GEST.ZONE, C3Z SICHERUNG, 2A, ZONE CONTR., C3Z	FUSIBLE, 2A, CONTRÔLEUR DE ZONE, C3Z ZEKERING, 2A, ZONE-CONTR., C3Z	0
0887	64980471	TRANSFORMER 24V, 40VA TRANSFORMADOR 24V, 40VA	TRASFORMATORE 24V, 40VA TRANSFORMATOR 24V, 40VA	TRANSFORMATEUR 24V, 40VA TRANSFORMATOR 24V, 40VA	1
0888	64980475	PCB, LOW VOLTAGE CONNECTION PCB, BORNE BASSE TENSION	SCHEDA CONNES.BASSO VOLTAGGIO LEITERPLAT., NIEDERSPANNUNGSANSCH.	PCB, BORNE BASSE TENSION PCB, LAGE VOLTAGE-AANSLUITING	0
0889	64980499	PCB, 3-ZONE CONTROLLER PCB, CONTROLADOR DE 3 ZONAS	SCHEDA GESTIONE 3 ZONE PCB, 3-ZONEN-REGLER	CCI, CONTRÔLEUR 3 ZONES PCB, 3-ZONE-CONTROLLER	1
0890	64980477	FUSES HOLDER PORTAFUSIBILE	PORTAFUSIBILE SICHERUNGSHALTER	PORTE FUSIBLE ZEKERINGHOUDER	1
0891	64980526	WIRING GROMMET (45 mm) GOMA GUIA CABLE 45 mm	GOMMINO PASSACAVI 45 mm GUMMI-KABELFÜHRUNG, 45 mm	GUIDE-CABLE EN GOMME 45 mm KABELGELEIDING RUBBER 45 mm	1
0892	64980723	COVER, HIGH VOLTAGE BARRIER CUBIER.BLOQUE DE TERMIN.ALTA TENS.	COPERCHIO MORSET.ALTA TENSIONE ABDECKUNG FÜR HOCHSPANN.KLEMML.	COUVERCLE DE BORNIER HAUTE TENS. HOOGSPAN.KLEMMENBLOKDEKS.	1
0893	64980525	BRACKET, FUSE HOLDER SOPORTE, PORTAFUSIBILE	STAFFA PORTAFUSIBILI HALTER, SICHERUNGSHALTER	SUPPORT, PORTE FUSIBLE SUPPORT, PORTE FUSIBLE	1
0894	65111934-01	CONNECTOR 3P (x5) CONECTOR 3P (x5)	CONNETTORE 3 POLI (x5) STECKER 3-POLIG (x5)	CONNECTEUR 3 POLES (x5) STEKKER 3-POLIG (x5)	1
0895	6000085970	ROCKER SWITCH 20A @125VAC ROCKER SWITCH 20A @125VAC	ROCKER SWITCH 20A @125VAC ROCKER SWITCH 20A @125VAC	ROCKER SWITCH 20A @125VAC ROCKER SWITCH 20A @125VAC	0
0896	64980784	COVER, FIELD WIRING CUBIERTA DE LA PARTE DE CABL.	COPERCHIO PARTE CABLAGGI ABDECKUNG DES VERKABELUNGST.	COUVERCLE DE LA PARTIE CÂBLAGE DEKSEL VAN HET BEDRADINGSONDERD.	1
0897	64980527	SPARE FUSE KIT (2 EACH) SPARE FUSE KIT (2 EACH)	KIT FUSIBILI RICAMBIO (2 CIASCUNO) SPARE FUSE KIT (2 EACH)	SPARE FUSE KIT (2 EACH) SPARE FUSE KIT (2 EACH)	0
0898	64980503	GASKET, HMI TO FRONT COVER EMPAQUE, HMI A CUBIERTA DELANT.	GUARNIZIONE HMI D.TUNG, HMI AN FRONTABDECKUNG	JOINT, IHM A COUVERCLE AVANT PAKKING, HMI NAAR VOORKAP	0
0899	6000087558	RELAY, OMRON, ISOLATION 30A 120VAC RELAY, OMRON, ISOLAT.30A 120VAC	RELAY, OMRON, ISOLATION 30A 120VAC RELAY, OMRON, ISOLAT.30A 120VAC	RELAY, OMRON, ISOLATION 30A 120VAC RELAY, OMRON, ISOLAT.30A 120VAC	1
5001	64980743	LP CONVERSION KIT KIT DE CONVERSIÓN LP	TRASFORMAZIONE GAS GPL LP-UMBAU-KIT	KIT DE CONVERSION GPL LP CONVERSIE KIT	1
	64980801	LP CONVERSION KIT KIT DE CONVERSIÓN LP	TRASFORMAZIONE GAS GPL LP-UMBAU-KIT	KIT DE CONVERSION GPL LP CONVERSIE KIT	1
5002	64980218	OUTDOOR SENSOR SONDA EXTERNA CON CABLES	SONDA ESTERNA CON CAVI AUSSENFUEHLER	SONDE EXTERIEURE FILAIRE BUITENVOELER	1
5003	6000084088	RELIEF VALVE3-4M X1FM,50 PSI RELIEF VALVE3-4M X1FM,50 PSI	RELIEF VALVE3-4M X1FM,50 PSI RELIEF VALVE3-4M X1FM,50 PSI	RELIEF VALVE3-4M X1FM,50 PSI RELIEF VALVE3-4M X1FM,50 PSI	0
5010	6000086804	TRIDICATOR 80PSI, 250F, TRX-FTX TRIDICATOR 80PSI, 250F, TRX-FTX	TRIDICATOR 80PSI, 250F, TRX-FTX TRIDICATOR 80PSI, 250F, TRX-FTX	TRIDICATOR 80PSI, 250F, TRX-FTX TRIDICATOR 80PSI, 250F, TRX-FTX	0
5022	64980740	INSTALLATION KIT BOX, TFTN500-600 JUEGO DE INSTALACIÓN, TFTN500-600	KIT INSTALLAZIONE, TFTN500-600 INSTALLATIONSKIT-BOX, TFTN500-600	KIT D'INSTALLATION, TFTN500-600 INSTALLATIEKIT, TFTN500-600	1
	64980798	INSTALLATION KIT BOX, TFTN500-600 JUEGO DE INSTALACIÓN, TFTN500-600	KIT INSTALLAZIONE, TFTN500-600 INSTALLATIONSKIT-BOX, TFTN500-600	KIT D'INSTALLATION, TFTN500-600 INSTALLATIEKIT, TFTN500-600	1
5025	6000086234	VENT SCREEN, 6.5 STAINL.STEEL MESH VENT SCREEN, 6.5 STAINL.STEEL MESH	VENT SCREEN, 6.5 STAINL.STEEL MESH VENT SCREEN, 6.5 STAINL.STEEL MESH	VENT SCREEN, 6.5 STAINL.STEEL MESH VENT SCREEN, 6.5 STAINL.STEEL MESH	0
	64980212	ROUND MESH, VENT SCREEN (3.375 in) MALLA RED., PANTALLA DE VENT.(3,375 in)	PROTEZIONE SCARICO FUMI (3,375 in) RUND.MESH, ENTLÜFT.SBILDSC.(3,375 in)	MAILLE RONDE, ÉCRAN D'ÉVENT (3.375 in) RONDE MESH, VENT-SCHERM (3.375 in)	0
5031	6000083008	GAS VENT DIRECTLY BELOW DECAL, GAS VENT DIRECTLY BELOW DECAL,	GAS VENT DIRECTLY BELOW DECAL, GAS VENT DIRECTLY BELOW DECAL,	GAS VENT DIRECTLY BELOW DECAL, GAS VENT DIRECTLY BELOW DECAL,	0
5032	64980742	CONDENSATE DRAIN TUBE TUBO DE DRENAJE DE CONDENS.	TUBO SCARICO CONDENSA KONDENSAT-ABFLUSSROHR	TUBE D'ÉVACUATION DES CONDENSATS CONDENSAFVOERBUIS	1
5040	6000086233	VENT SCREEN, 4.375 STAINL.STEEL MESH VENT SCREEN, 4.375 STAINL.STEEL MESH	VENT SCREEN, 4.375 STAINL.STEEL MESH VENT SCREEN, 4.375 STAINL.STEEL MESH	VENT SCREEN, 4.375 STAINL.STEEL MESH VENT SCREEN, 4.375 STAINL.STEEL MESH	0
5044	6000084010	SENSOR, SYSTEM PIPE SENSOR SENSOR, SYSTEM PIPE SENSOR	SENSOR, SYSTEM PIPE SENSOR SENSOR, SYSTEM PIPE SENSOR	SENSOR, SYSTEM PIPE SENSOR SENSOR, SYSTEM PIPE SENSOR	0
5045	64980741	CONNECTOR TUBING CONNECTOR TUBING	CONNETTORE TUBI ANSCHLUSSROHR	TUBE DE CONNECTEUR CONNECTORBUIS	1
5048	6000084025	MANUAL SHUTOFF VALVE LX600-800 MANUAL SHUTOFF VALVE LX600-800	MANUAL SHUTOFF VALVE LX600-800 MANUAL SHUTOFF VALVE LX600-800	MANUAL SHUTOFF VALVE LX600-800 MANUAL SHUTOFF VALVE LX600-800	0

☰				EN ES	IT DE	FR NL	X	
	6000085312	MANUAL SHUTOFF VALVE FTG1.2-1.4M MANUAL SHUTOFF VALVE FTG1.2-1.4M		MANUAL SHUTOFF VALVE FTG1.2-1.4M MANUAL SHUTOFF VALVE FTG1.2-1.4M		MANUAL SHUTOFF VALVE FTG1.2-1.4M MANUAL SHUTOFF VALVE FTG1.2-1.4M		0
5049	6000085316	THERMAL COMP.TASSERON 10PK THERMAL COMP.TASSERON 10PK		THERMAL COMP.TASSERON 10PK THERMAL COMP.TASSERON 10PK		THERMAL COMP.TASSERON 10PK THERMAL COMP.TASSERON 10PK		0
5061	64980744	4" CPVC TUBO DE HUMOS CPVC		TUBO SCARICO FUMI CPVC) ABGASROHR (CPVC)		TUBE EN PASTIQUE FLUE PIPE (POLYPROPYLENE)		1
	64980800	6" CPVC TUBO DE HUMOS CPVC		TUBO SCARICO FUMI CPVC) ABGASROHR (CPVC)		TUBE EN PASTIQUE FLUE PIPE (POLYPROPYLENE)		1
5062	6000083718	HOSE CLAMP 11-16-1 1-2 HOSE CLAMP 11-16-1 1-2		HOSE CLAMP 11-16-1 1-2 HOSE CLAMP 11-16-1 1-2		HOSE CLAMP 11-16-1 1-2 HOSE CLAMP 11-16-1 1-2		0

IDENTIFICATION PLATE

SERIAL NUMBER

16 Characters :

